

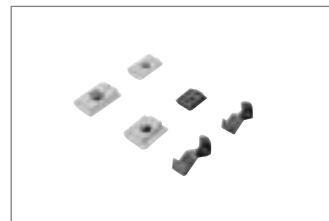
Connection elements



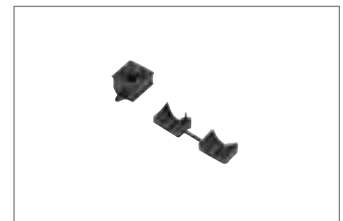
T-nut (p. 3-4)
Collar screw (p. 3-5)



Flange nut, T-bolt (p. 3-6)



Sliding block (p. 3-7)



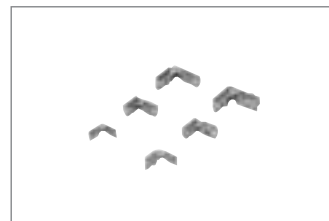
Straddling nut (p. 3-10)



Parallel connector (p. 3-11)



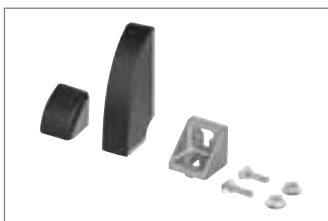
Tensioning connector
(p. 3-12)



Inner bracket (p. 3-13)
Inner bracket R (p. 3-14)



Miter bracket (p. 3-16)



Bracket (p. 3-17)



Bracket R (p. 3-28)



Steel bracket (p. 3-30)



Metal bracket for
supporting bracket (p. 3-31)



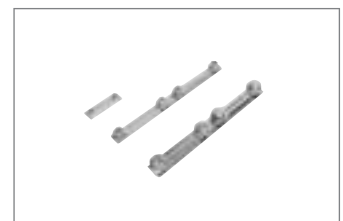
Foundation bracket
(p. 3-32)



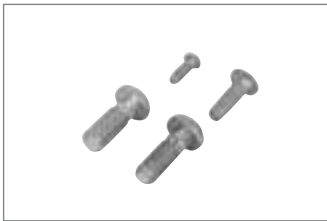
Holder (p. 3-33)



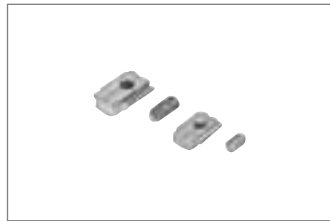
Supporting bracket
(p. 3-34)



Profile connector (p. 3-35)



Central bolt (p. 3-36)



Anti-torsion element
(p. 3-37)



Cubic connector (p. 3-38)



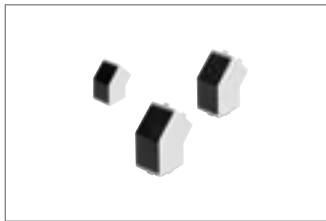
Corner bracket (p. 3-41)



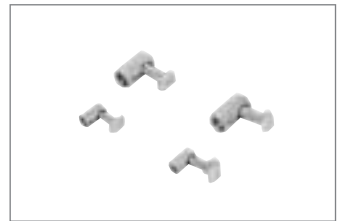
End connector (p. 3-43)



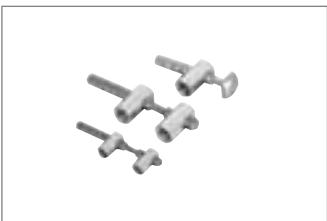
T-connector (p. 3-45)



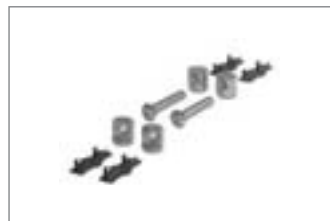
45° connector (p. 3-47)



Quick connector (p. 3-48)



Quick connector, bendable
(p. 3-51)



Longitudinal end connector
(p. 3-53)



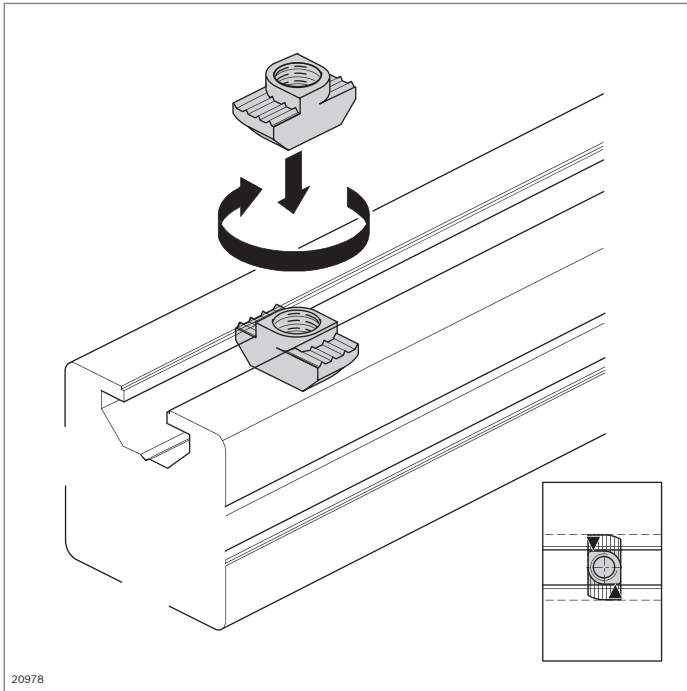
Bolt connector (p. 3-54)



Cross connector (p. 3-56)

Connection elements, selection criteria

	Recommended Suitable Unsuitable	Bracket	Inner bracket	Bolt connector	Central bolt	Quick connector	T-connector	Tensioning connector
High feed force								
High moment								
High torsional moment								
Minimal finishing work								
Minimal assembly								
Low parts costs								
Subsequent mounting in closed frame								
Adjustment possible								
Support of surface elements								
Internal connection (concealable)								



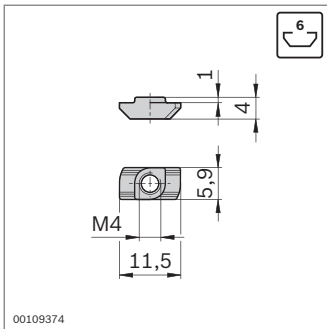
T-nut







- ▶ Standard element for secure, conductive connections
- ▶ Stop for correct positioning in the profile slot
- ▶ Stainless steel T-nuts, e.g. for outdoor or cleanroom applications
- ▶ Profile finishing: not required

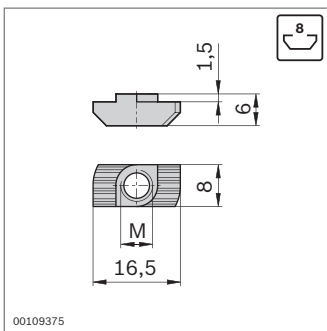
Technical data (p. 19-5)

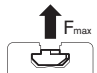
Accessories:
Insulating cap (p. 3-5)










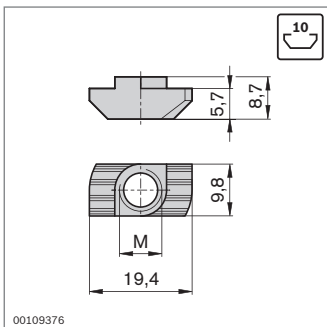
Slot	 F_{max}
6	1700 N

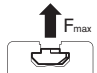
T-nut, 6 mm slot	Slot	M	ESD		No.
Steel, galvanized	6	M4		100	3 842 523 135
Steel, stainless	6	M4		100	3 842 536 599












Slot	 F_{max}
8 (M6)	4000 N

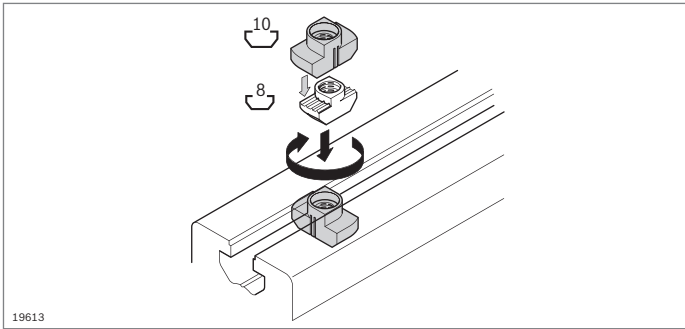
T-nut, 8 mm slot	Slot	M	ESD		No.
Steel, galvanized	8	M4		100	3 842 501 751
		M5		100	3 842 501 752
		M6		100	3 842 501 753
Steel, stainless	8	M4		100	3 842 536 600
		M5		100	3 842 536 601
		M6		100	3 842 536 602



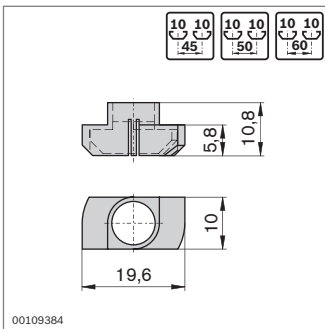
Slot	 F_{max}
10 (M8)	6000 ... 18,000 N ¹⁾

¹⁾ Depending on profile (p. 19-5)

T-nut, 10 mm slot	Slot	M	ESD		No.
Steel, galvanized	10	M4		100	3 842 530 281
		M5		100	3 842 530 283
		M6		100	3 842 530 285
		M8		100	3 842 530 287
Steel, stainless	10	M4		100	3 842 536 606
		M5		100	3 842 536 605
		M6		100	3 842 536 604
		M8		100	3 842 536 603



19613

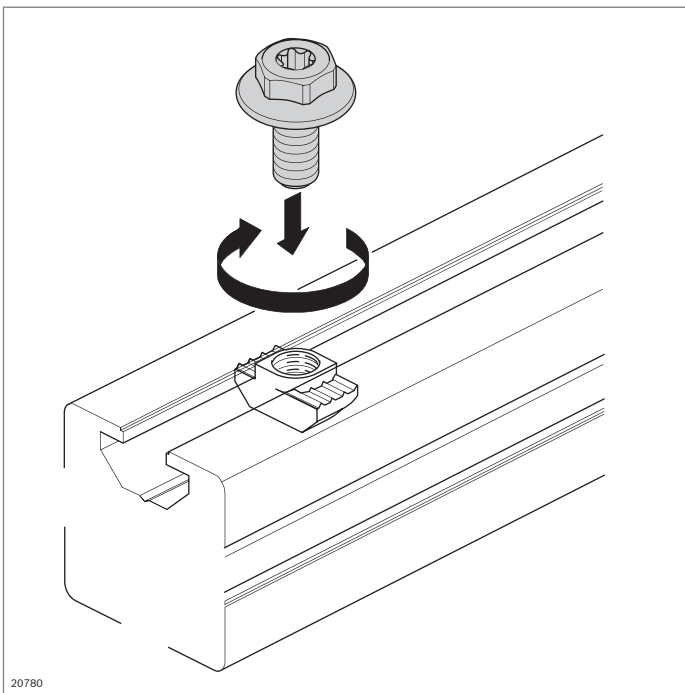


00109384

- ▶ Insulating cap for decoupling directly grounded components; for use with T-nuts for 8 mm slots in a 10 mm slot

Insulating cap for T-nut, 8 mm slot	Slot	No.
	10	10 3 842 524 012

Material: High-strength PA, black



20780

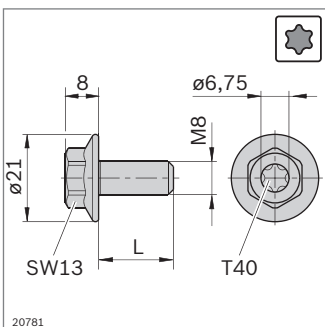
Collar screw



- ▶ Collar screws with multi-function head for tightening with ring/open-end wrench (WS 13) or Torx offset screwdriver (T40)
- ▶ Machine threading possible
- ▶ Preferably for bracket fastening
- ▶ Quick and simple assembly
- ▶ Excellent force transmission via broad flange
- ▶ ESD-capable
- ▶ Polymer spot for precise positioning of T-nut

Tool:
Offset screwdriver (p. 14-6)

Accessories:
T-nut (p. 3-4)



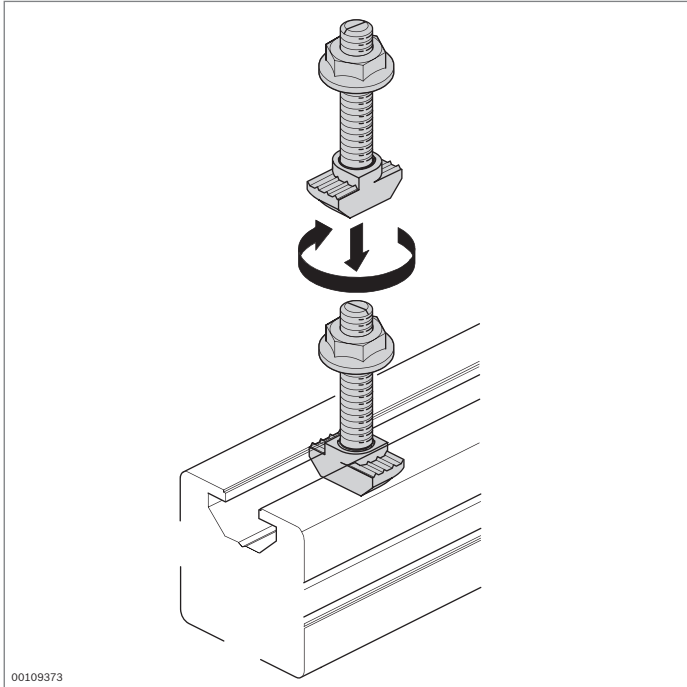
20781

Collar screw	M	L (mm)	ESD	No.
M8x18-SW13-T40¹⁾	M8	18	100	3 842 541 246
M8x20-SW13-T40²⁾	M8	20	100	3 842 541 409

¹⁾ For 40/40 and 60/60 brackets

²⁾ For all other brackets for 10 mm slot

Material: Steel, galvanized

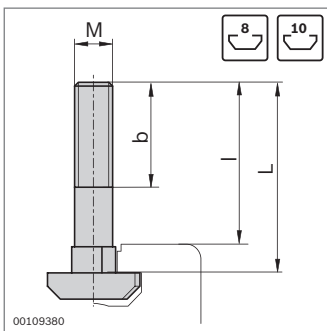
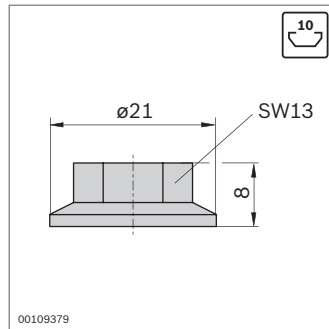
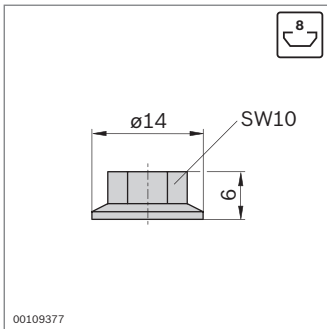


T-bolt Flange nut



- ▶ Secure, conductive connection
- ▶ Notch at bolt end as marker for correct position identification
- ▶ Profile finishing: not required

Technical data (p. 19-5)



Slot	F_{max}
8	4000 N
10	6000 ... 18,000 N ¹⁾

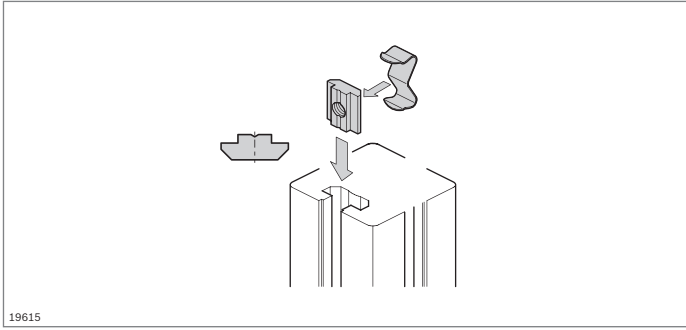
¹⁾ Depending on profile (p. 19-5)

Flange nut	Slot	M	ESD	No.
	8	M6	100	3 842 523 925
	10	M8	100	3 842 345 081

Material: Steel, galvanized

T-bolt	Slot	MxL	b (mm)	l (mm)	ESD	No.
8	8	M6x16	10	14	100	3 842 523 920
		M6x20	14	18	100	3 842 523 921
		M6x25	18	23	100	3 842 523 922
10	10	M8x20	14	14	100	3 842 528 715
		M8x25	19	19	100	3 842 528 718
		M8x30	24	24	100	3 842 528 721
		M8x40	22	34	100	3 842 528 724
		M8x50	22	44	100	3 842 528 727

Material: Steel, galvanized



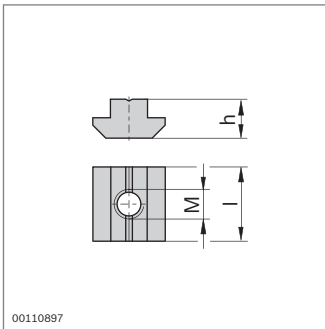
19615

Sliding block, sliding block profile, spring



- ▶ Sliding block for reliable absorption of high forces
- ▶ Sliding block profile for self-assembly of individual fastening elements
- ▶ Profile finishing: not required

Technical data (p. 19-5)

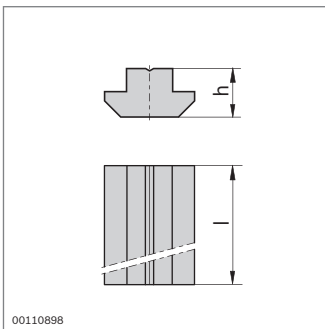


00110897

Slot	
6 (M5)	3000 N
8 (M8)	6000 N
10 (M8)	8000 to 18,000 N ¹⁾

¹⁾ Depending on profile (p. 19-5)

Sliding block	Slot	M	h (mm)	l (mm)	ESD		No.	
Steel, galvanized	6	M4	4.0	12		100	3 842 542 692	
		M5	4.0	12		100	3 842 542 693	
	8	M4	6.0	16	100	3 842 514 928		
		M5	6.0	16	100	3 842 514 929		
		M6	6.0	16	100	3 842 514 930		
		M8	6.0	16	100	3 842 514 931		
	10	M5	10.5	20	100	3 842 528 741		
		M6	10.5	20	100	3 842 528 738		
		M8	10.5	20	100	3 842 528 735		
	Steel, stainless	6	M4	10.5	20		100	3 842 523 140
			M5	10.5	20		100	3 842 523 142

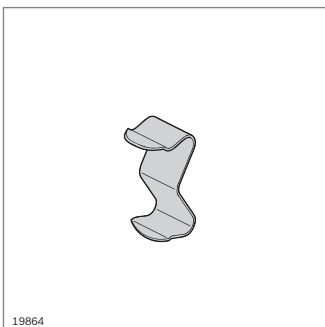


00110898

Slot	
6 (M5)	3000 N
8 (M8)	6000 N
10 (M8)	8000 to 18,000 N ¹⁾

¹⁾ Depending on profile (p. 19-5)

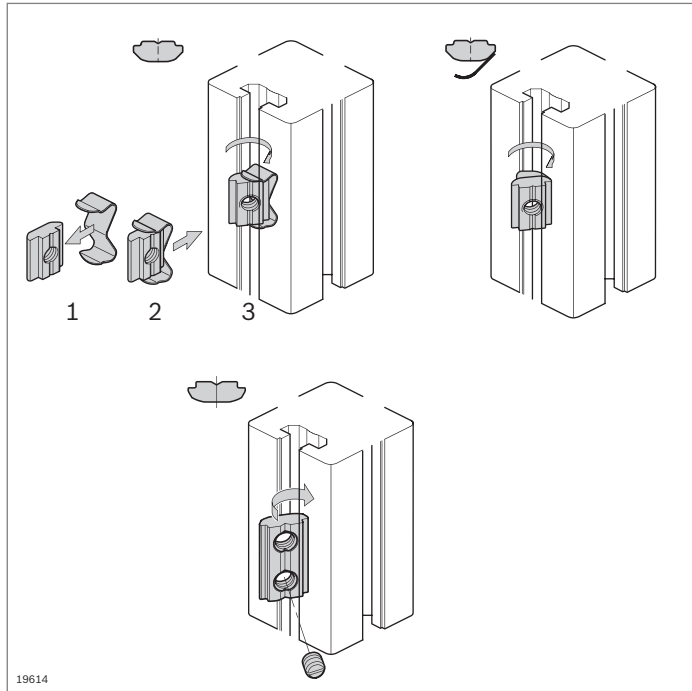
Sliding block profile	Slot	h (mm)	l (mm)	No.
Steel, galvanized	6	4.0	1000	3 842 542 694
Steel, stainless	6	4.0	1000	3 842 523 438
Steel, bare, oiled	8	6.0	1000	3 842 510 078
	10	10.5	1000	3 842 528 744



19864

- ▶ The spring assists with the assembly and positioning of the sliding block and swivel-in sliding block

Spring	Slot		No.
Spring steel, stainless	6	100	3 842 523 145
	8	100	3 842 516 685
	10	100	3 842 516 669

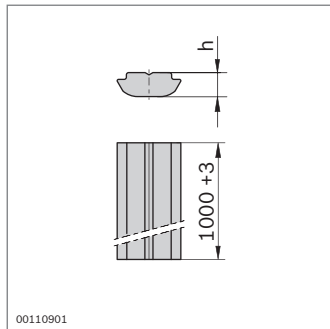


Sliding block, swivel-in Sliding block profile, swivel-in



- ▶ Swivel-in sliding block profile for self-assembly of individual fastening elements
- ▶ The swivel-in sliding block can be inserted directly at the assembly point for easy assembly
- ▶ The swivel-in sliding block with spring can be inserted directly at the assembly point and fixed in position thanks to attached springs
- ▶ The swivel-in sliding block with headless setscrews permits shake-proof fixing in all positions
- ▶ Profile finishing: not required

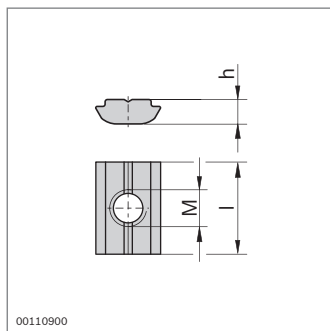
Technical data (p. 19-5)



Slot	
8 (M8)	2200 N
10 (M8)	8000 to 18,000 N ¹⁾

¹⁾ Depending on profile (p. 19-5)

Sliding block profile, swivel-in	Slot	h (mm)	l (mm)	No.
Steel, bare, oiled	8	4.8	1000	3 842 529 327
	10	5.3	1000	3 842 529 325

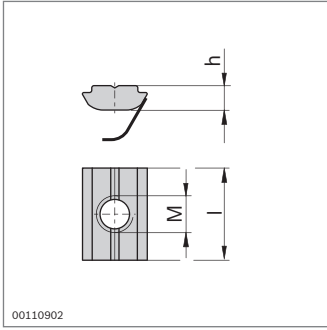


Slot	
8 (M8)	2200 N
10 (M8)	8000 to 18,000 N ¹⁾

¹⁾ Depending on profile (p. 19-5)

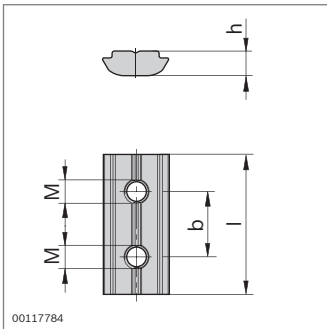
Sliding block, swivel-in	Slot	M	h (mm)	l (mm)		No.
Steel, stainless	6	M4	3.0	12	100	3 842 536 669
	8	M6	4.8	16	100	3 842 530 321
	10	M8	5.3	20	100	3 842 530 316
Steel, galvanized	8	M5	4.8	16	100	3 842 529 319
		M6	4.8	16	100	3 842 529 320
		M8	4.8	16	100	3 842 529 321
	10	M6	5.3	20	100	3 842 529 323
		M8	5.3	20	100	3 842 529 324

Accessories: Spring (p. 3-7)



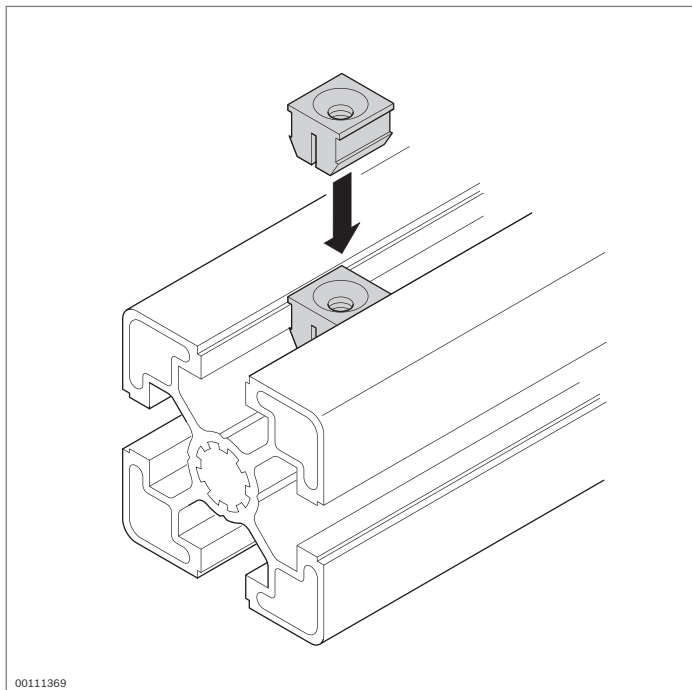
Slot	
8 (M8)	2200 N
10 (M8)	8000 to 18,000 N ¹⁾

¹⁾ Depending on profile (p. 19-5)



Sliding block, swivel-in, with spring	Slot	M	h (mm)	l (mm)	ESD		No.
Steel, galvanized, chromated transparent Spring: spring steel, stainless	8	M4	4.8	16		100	3 842 529 294
		M5	4.8	16		100	3 842 529 295
		M6	4.8	16		100	3 842 529 296
		M8	4.8	16		100	3 842 529 297
	10	M4	5.3	20		100	3 842 541 393
		M5	5.3	20		100	3 842 529 298
		M6	5.3	20		100	3 842 529 299
		M8	5.3	20		100	3 842 529 300

Sliding block, swivel-in, with headless setscrew	Slot	M	b (mm)	h (mm)	l (mm)	ESD	No.
Steel, stainless	6	M4	8	3.0	15	100	3 842 536 673
Steel, galvanized	8	M5	12	4.8	24	100	3 842 536 675
	10	M5	14	5.3	30	100	3 842 536 676



00111369

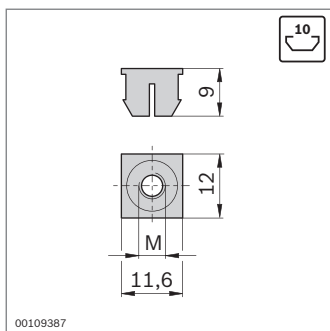
Straddling nut




- ▶ For attaching light accessories such as cable fasteners or rings
- ▶ Easy assembly by clipping into the profile groove
- ▶ Profile finishing: not required

Required accessories:

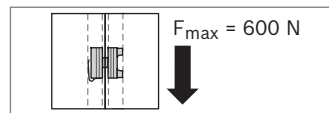
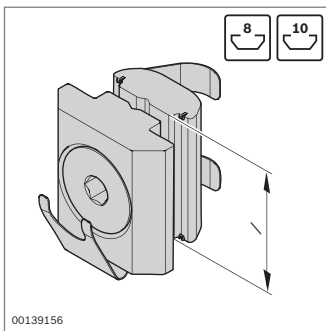
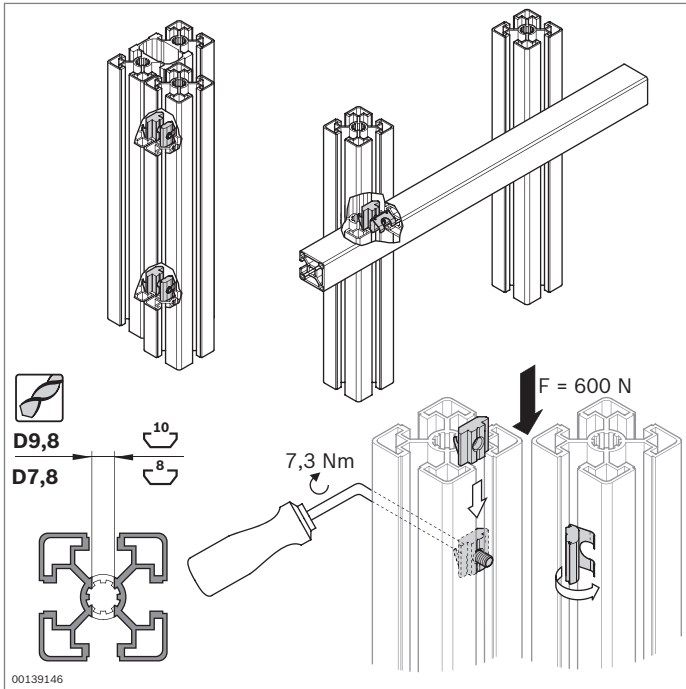
Countersunk screw



00109387

Straddling nut	Slot	M		No.
	10	M4	100	3 842 111 987
		M5	100	3 842 111 988
		M6	100	3 842 111 989

Material: PA, black



Parallel connector

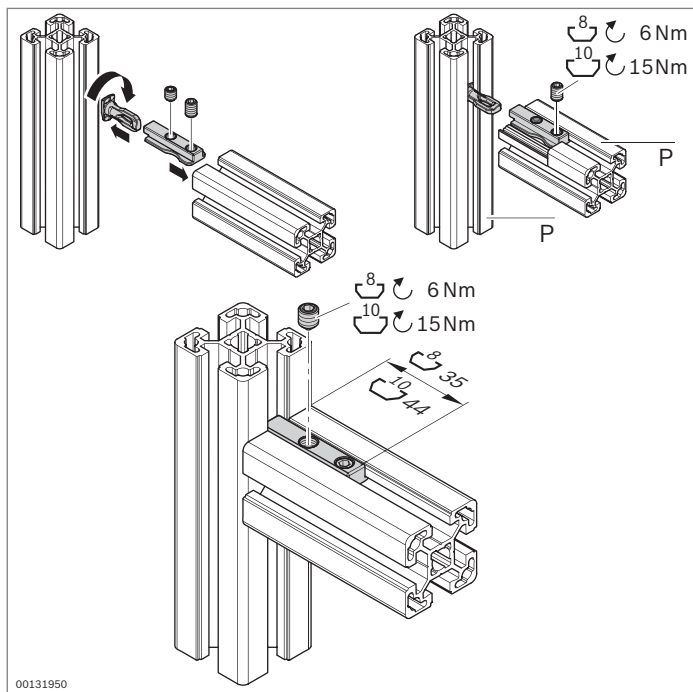


- ▶ For a gap-free connection between two strut profiles, parallel to the axis or at any angle
- ▶ Parallel connector consisting of two sliding blocks with welded springs for simple assembly
- ▶ Attractive interior connection, e.g. for material shelves
- ▶ Connection possible in any position
- ▶ Transferrable displacement force per parallel connector: 600 N
- ▶ Profile finishing: through hole

Parallel connector	Slot I (mm)		No.
	8	10	
	16	10	3 842 542 737
	10	20	3 842 542 736

Material: Sliding block: steel, galvanized, chromated transparent
Spring: spring steel, stainless

Scope of delivery: Sliding block with spring, swivel-in sliding block with spring, countersunk screw M5



00131950

Quick connector



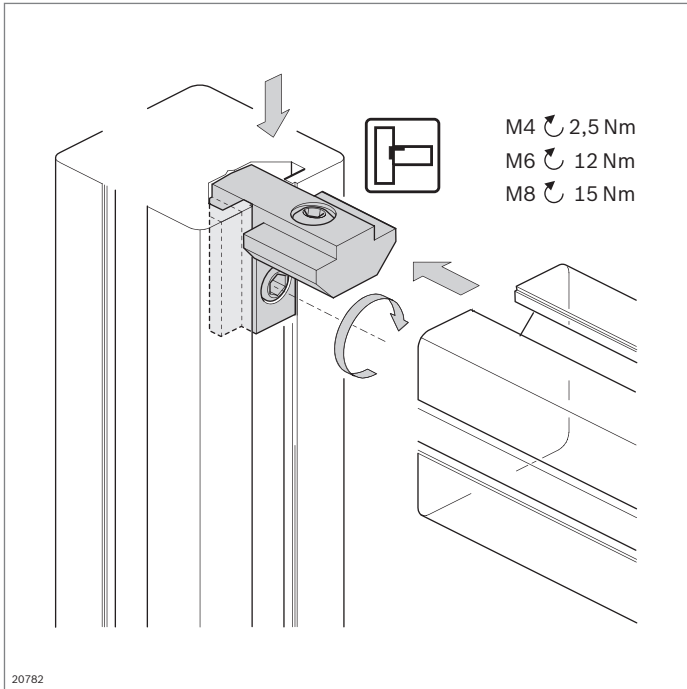
- ▶ Tensioning connector for fast assembly
- ▶ The connector can slide into the slot
- ▶ Easily accessible screws
- ▶ Three slots are left free for mounting surface elements
- ▶ Profile finishing: not required

Technical data (p. 19-8)

P			
30x...	1000 N	35 Nm	15 Nm
45x... L	3500 N	110 Nm	30 Nm
40x..., 45x..., 50x...	3500 N	110 Nm	30 Nm
60x...	3500 N	195 Nm	60 Nm

Quick connector	Slot	P	ESD		No.
8	8	30x..		10	3 842 538 489
10L	10	45x.. L		10	3 842 538 491
10	10	40x.. 45x.. 50x.. 60x..		10	3 842 538 490

Material: Steel, transparent passivated

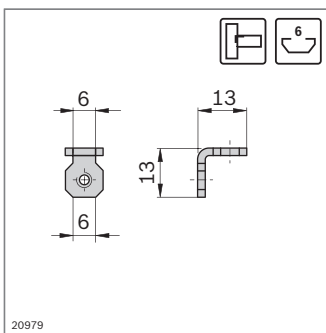


Inner bracket



- ▶ For elegant, easy-to-assemble profile connections
- ▶ Especially suitable for constructing door frames, protective grilles, or partition walls
- ▶ The inner bracket, 6 mm slot, can also be used as an inner bracket R, 6 mm slot
- ▶ Profile finishing: not required

Technical data (p. 19-8)

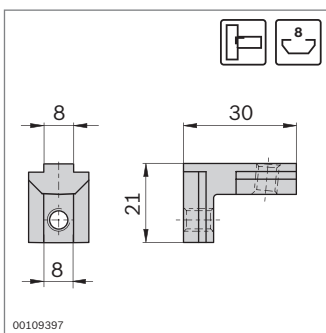


FS1
DIN 915
M4x6

Inner bracket	Slot	ESD	No.	FS
	6/6		10	3 842 535 574 2xFS1

Material: Sheet steel, galvanized
Fastening material: steel, galvanized, chromated transparent

Scope of delivery: Incl. fastening material (FS)



Slot

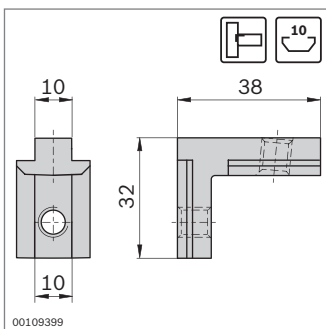
	F_{max}		M_{max}
8/8	2200 N	50 Nm	

FS2
DIN 913
M6x8

Inner bracket	Slot	ESD	No.	FS
	8/8		10	3 842 535 578 2xFS2

Material: Cast steel, galvanized, transparent passivated
Fastening material: steel, galvanized, chromated transparent

Scope of delivery: Incl. fastening material (FS)



Slot

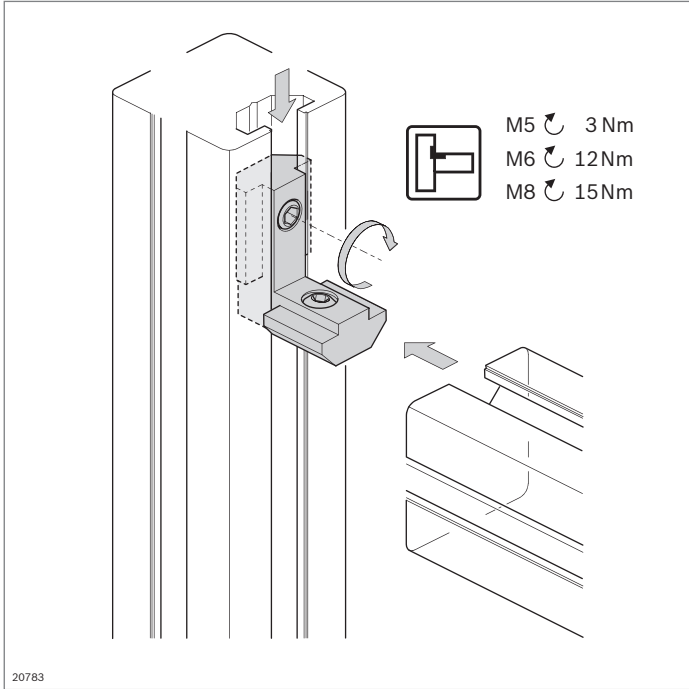
	F_{max}		M_{max}
10/10	2800 N	100 Nm	

FS3
DIN 913
M8x12

Inner bracket	Slot	ESD	No.	FS
	10/10		10	3 842 535 572 2xFS3

Material: Cast steel, galvanized, transparent passivated
Fastening material: steel, galvanized, chromated transparent

Scope of delivery: Incl. fastening material (FS)

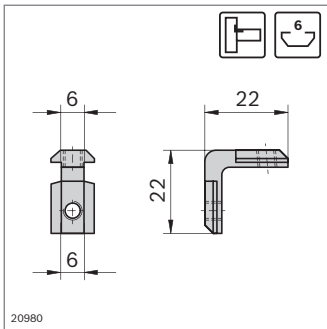


Inner bracket R



- ▶ For elegant, easy-to-assemble profile connections
- ▶ Especially suitable for constructing door frames, protective grilles, or partition walls
- ▶ Profile finishing: not required

Technical data (p. 19-8)



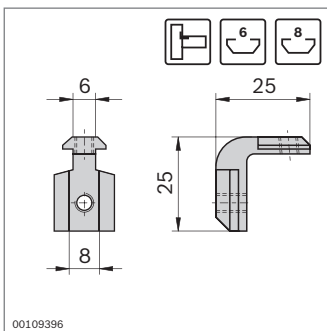
Slot	F_{max}	M_{max}
6/6	600 N	10 Nm



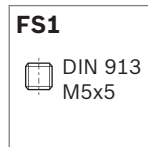
Inner bracket R	Slot	ESD	No.	FS
	6/6		10	3 842 535 575 2xFS1

Material: Cast steel, galvanized, transparent passivated
Fastening material: steel, galvanized, chromated transparent

Scope of delivery: Incl. fastening material (FS)



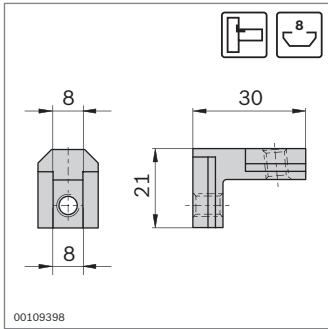
Slot	F_{max}	M_{max}
6/8	600 N	10 Nm



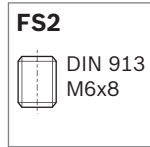
Inner bracket R	Slot	ESD	No.	FS
	6/8		10	3 842 535 573 2xFS1

Material: Cast steel, galvanized, transparent passivated
Fastening material: steel, galvanized, chromated transparent

Scope of delivery: Incl. fastening material (FS)



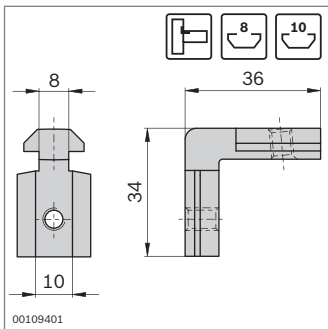
Slot	F_{max}	M_{max}
8/8	2500 N	50 Nm



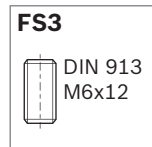
Inner bracket R	Slot	ESD	No.	FS
	8/8	10	3 842 535 577	2xFS2

Material: Cast steel, galvanized, transparent passivated
Fastening material: steel, galvanized, chromated transparent

Scope of delivery: Incl. fastening material (FS)



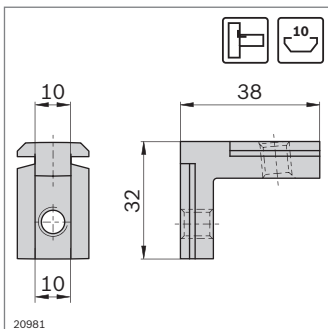
Slot	F_{max}	M_{max}
8/10	2500 N	50 Nm



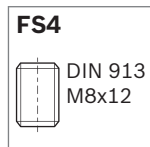
Inner bracket R	Slot	ESD	No.	FS
	8/10	10	3 842 535 576	FS2, FS3

Material: Cast steel, galvanized, transparent passivated
Fastening material: steel, galvanized, chromated transparent

Scope of delivery: Incl. fastening material (FS)



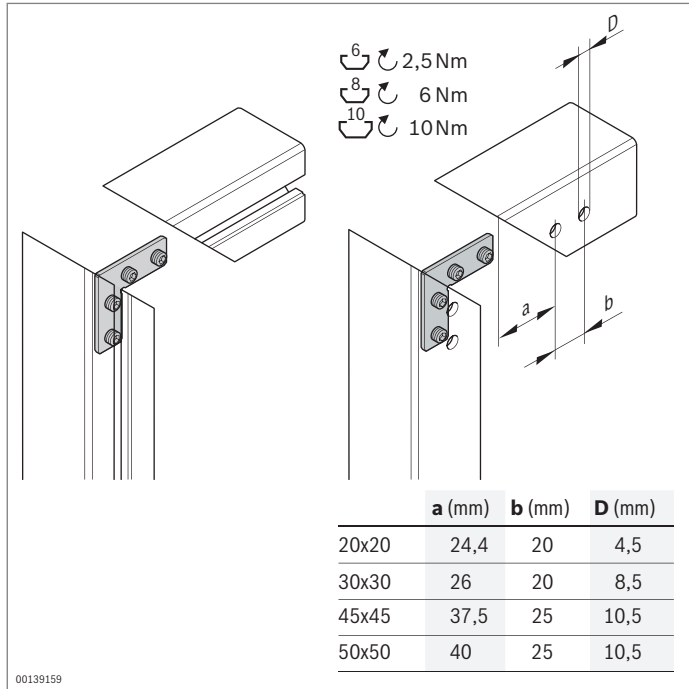
Slot	F_{max}	M_{max}
10/10	3000 N	100 Nm



Inner bracket R	Slot	ESD	No.	FS
	10/10	10	3 842 535 571	2xFS4

Material: Cast steel, galvanized, transparent passivated
Fastening material: steel, galvanized, chromated transparent

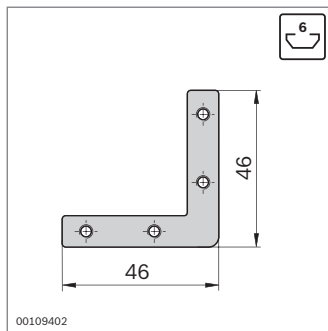
Scope of delivery: Incl. fastening material (FS)



Miter bracket



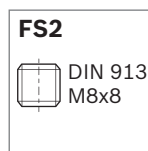
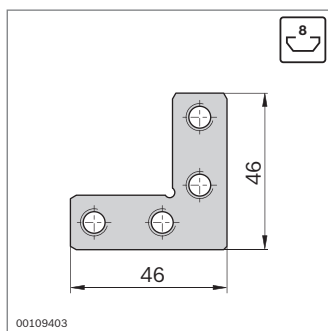
- ▶ For right-angled connections of miter-cut profiles
- ▶ Profile finishing with open profile slots: not required
- ▶ Profile finishing with closed profile slots: through holes for screwdrivers



Miter bracket	Slot	ESD	No.	FS
	6		20	3 842 535 626 4xFS1

Material: Steel, stainless
 Fastening material: steel, galvanized

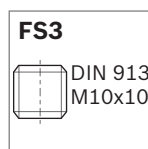
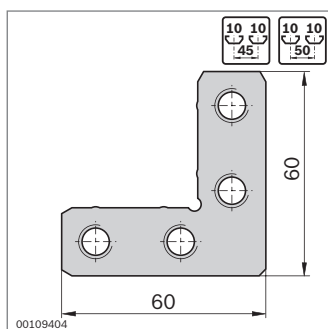
Scope of delivery: Incl. fastening material (FS)



Miter bracket	Slot	ESD	No.	FS
	8		20	3 842 535 627 4xFS2

Material: Steel, galvanized
 Fastening material: steel, galvanized

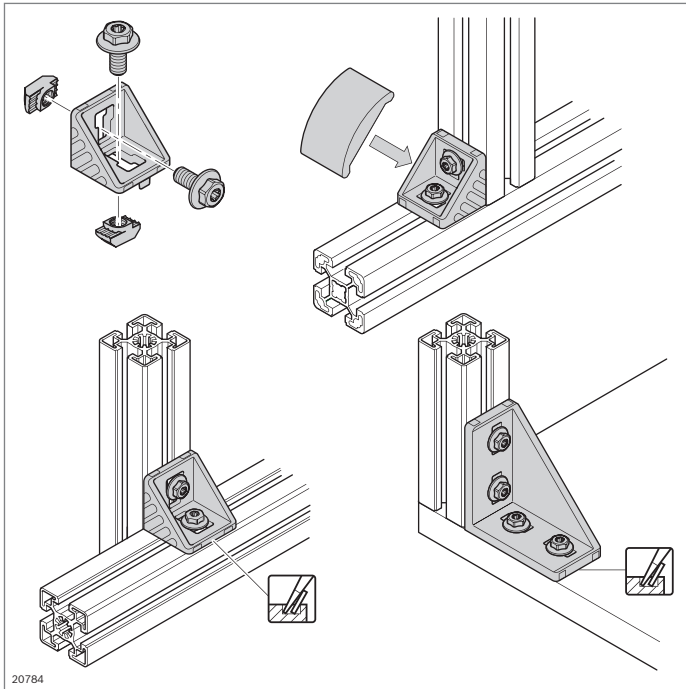
Scope of delivery: Incl. fastening material (FS)



Miter bracket	Slot	ESD	No.	FS
	10		20	3 842 535 625 4xFS3

Material: Steel, galvanized
 Fastening material: steel, galvanized

Scope of delivery: Incl. fastening material (FS)



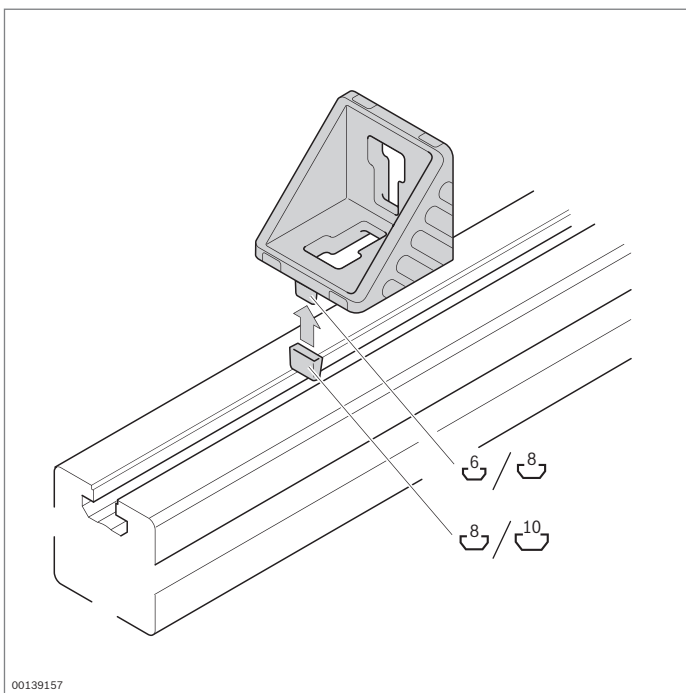
Bracket

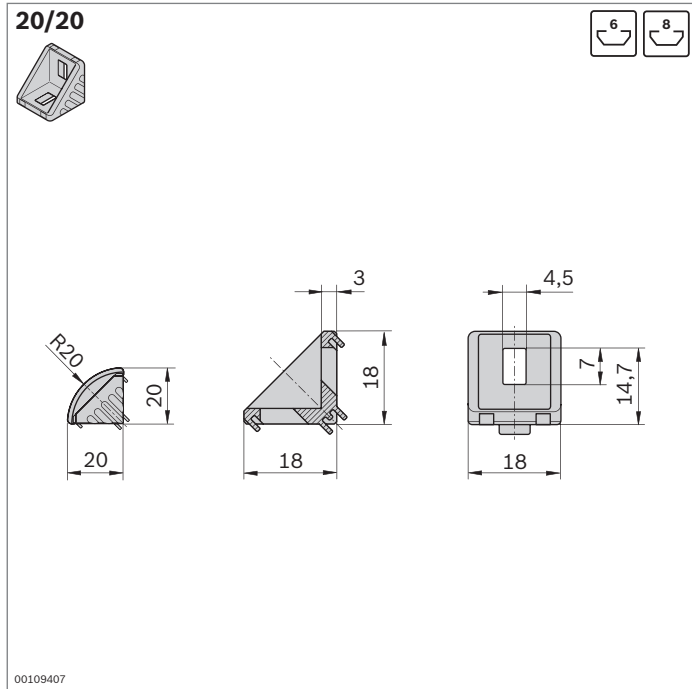


- ▶ Brackets with centering lugs for rapid, precise assembly with protection against turning
- ▶ Centering lugs can be easily broken off for assembly on plates or at right angles to the slot
- ▶ *designLINE* version with special silver paint (RAL 9006) for an attractive, high-quality design
- ▶ Intermediate element for positioning brackets in the next largest slot
- ▶ Offset sliding block for off-center positioning of the 45/45 bracket
- ▶ Cap to prevent the entry of dirt or contamination
- ▶ Profile finishing: not required

Technical data (p. 19-9)

Note: Collar screws enable an especially fast, easy assembly of the supporting brackets (p. 3-5).



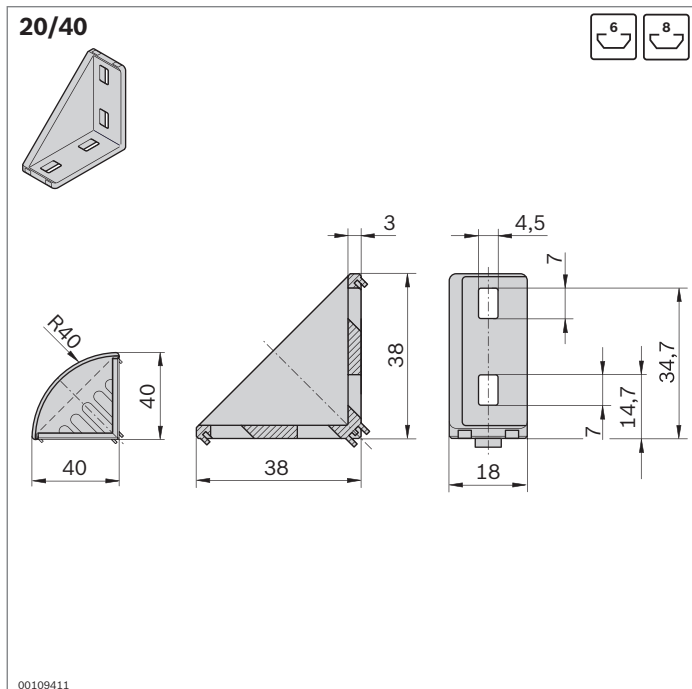
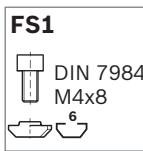


20/20	Slot	ESD		No.	FS
Set (standard)	6/6		1	3 842 523 511	2xFS1
<i>designLINE</i> set	6/6		1	3 842 538 707	2xFS1
Bracket (standard)	6		100	3 842 523 508	
Cap			100	3 842 523 513	
Intermediate element for 8 mm slot	6/8		100	3 842 523 516	

Material: Bracket: diecast aluminum, vibratory ground
designLINE bracket: painted (RAL 9006)
 Cap, intermediate element: PA, black
 Fastening material: steel, galvanized

Scope of delivery: Set (standard): bracket, fastening material (FS)
designLINE set: *designLINE* bracket, cap, fastening material (FS)

Type				
20/20	700 N	6 Nm	25 Nm	–

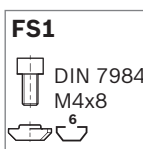


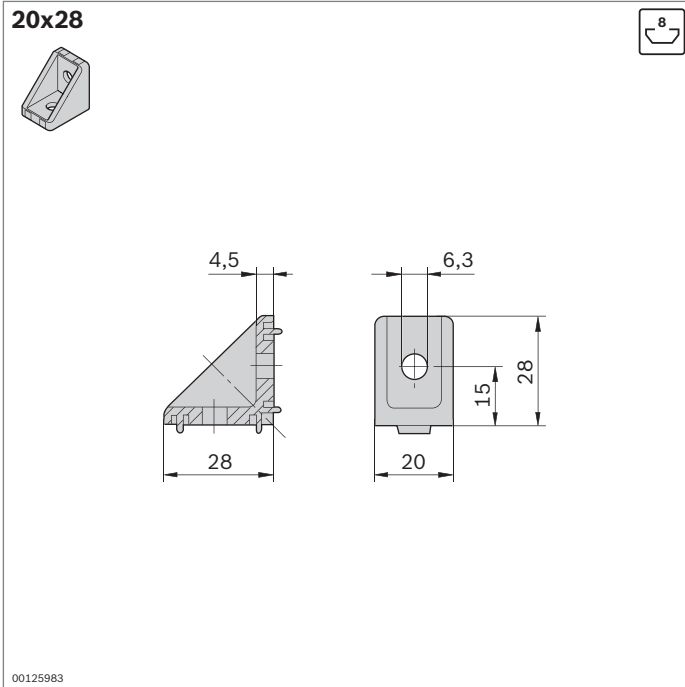
20/40	Slot	ESD		No.	FS
Set (standard)	6/6		1	3 842 523 520	4xFS1
<i>designLINE</i> set	6/6		1	3 842 538 708	4xFS1
Bracket (standard)	6		20	3 842 523 517	
Cap			20	3 842 523 522	
Intermediate element for 8 mm slot	6/8		100	3 842 523 516	

Material: Bracket: diecast aluminum, vibratory ground
designLINE bracket: painted (RAL 9006)
 Cap, intermediate element: PA, black
 Fastening material: steel, galvanized

Scope of delivery: Set (standard): bracket, fastening material (FS)
designLINE set: *designLINE* bracket, cap, fastening material (FS)

Type				
20/40	1400 N	15 Nm	50 Nm	8 Nm

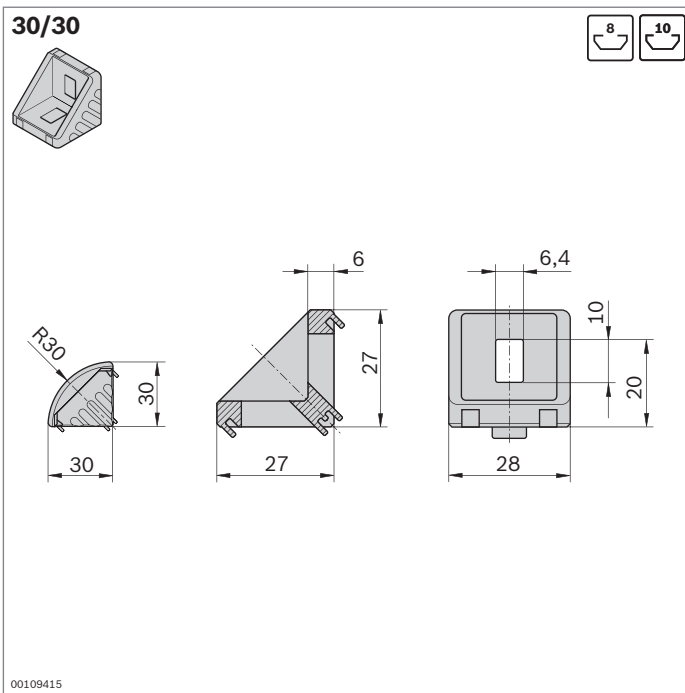
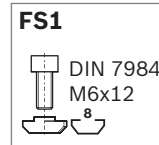




20x28	Slot	ESD	No.	FS
Set (standard)	8/8		1 3 842 502 137	2xFS1
Bracket (standard)	8		100 3 842 501 587	

Material: Diecast zinc
Fastening material: steel, galvanized

Scope of delivery: Set incl. fastening material (FS)

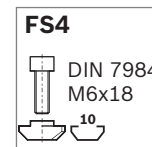
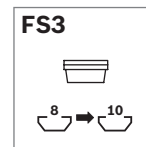
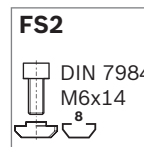


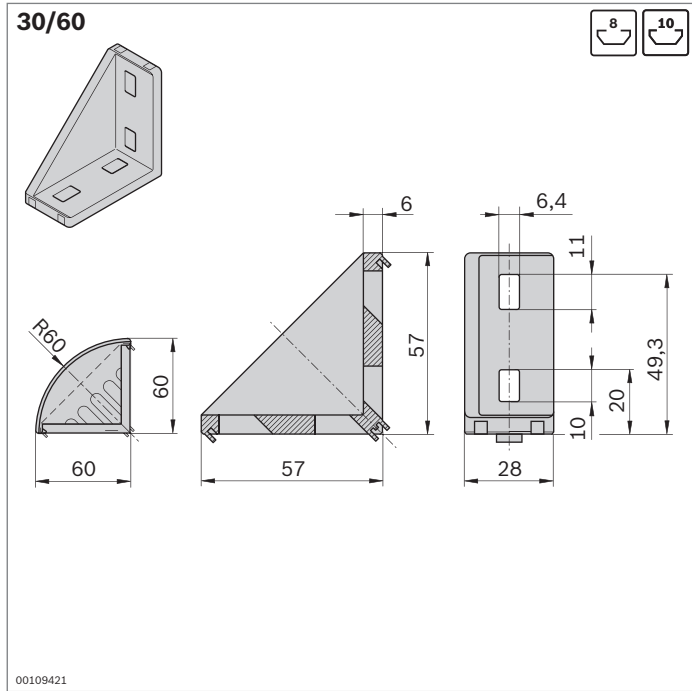
30/30	Slot	ESD	No.	FS
Set (standard)	8/8		1 3 842 523 528	2xFS2
	8/10		1 3 842 523 530	1xFS2, 2xFS3, 1xFS4
	10/10		1 3 842 523 532	4xFS3, 2xFS4
<i>designLINE</i> set	8/8		1 3 842 538 709	2xFS2
	8/10		1 3 842 538 711	1xFS2, 2xFS3, 1xFS4
	10/10		1 3 842 538 710	4xFS3, 2xFS4
Bracket (standard)	8		100 3 842 523 525	
Cap			100 3 842 523 534	
Intermediate element for 10 mm slot	8/10		100 3 842 523 537	

Material: Bracket: diecast aluminum, vibratory ground
designLINE bracket: painted (RAL 9006)
Cap, intermediate element: PA, black
Fastening material: steel, galvanized

Scope of delivery: Set (standard): bracket, fastening material (FS)
designLINE set: *designLINE* bracket, cap, fastening material (FS)

Type				
30/30	1250 N	25 Nm	75 Nm	—



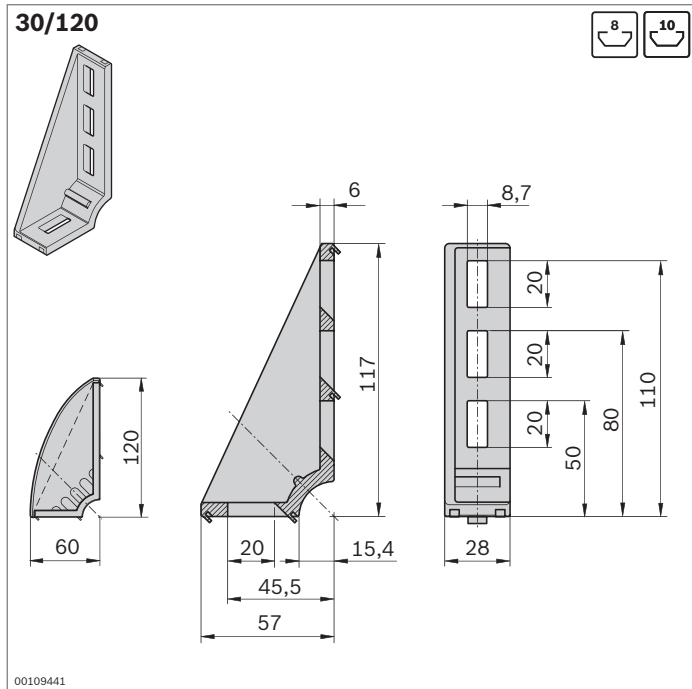
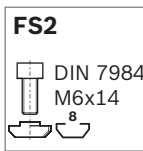


Type				
30/60	2500 N	100 Nm	170 Nm	25 Nm

30/60	Slot	ESD		No.	FS
Set (standard)	8/8			1	3 842 523 541 4xFS2
<i>designLINE</i> set	8/8			1	3 842 538 712 4xFS2
Bracket (standard)	8			20	3 842 523 538
Cap				20	3 842 523 543
Intermediate element for 10 mm slot	8/10			100	3 842 523 537

Material: Bracket: diecast aluminum, vibratory ground
designLINE bracket: painted (RAL 9006)
 Cap, intermediate element: PA, black
 Fastening material: steel, galvanized

Scope of delivery: Set (standard): bracket, fastening material (FS)
designLINE set: *designLINE* bracket, cap, fastening material (FS)

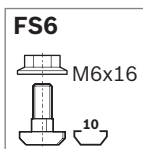


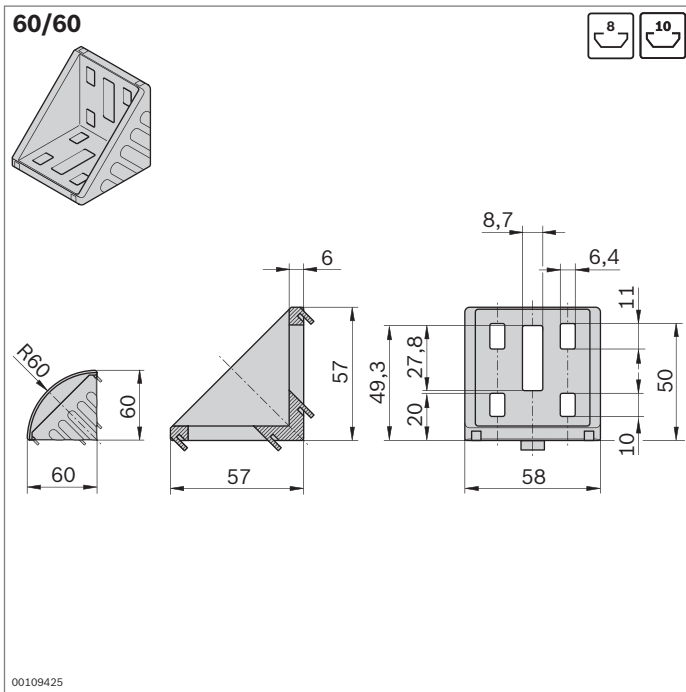
Type			
30/120	3750 N	100 Nm	47 Nm

30/120	Slot	ESD		No.	FS
<i>designLINE</i> set	8/8			1	3 842 538 748 2xFS6
Bracket (standard)	8			20	3 842 523 587
Cap				20	3 842 523 589
Intermediate element for 10 mm slot	8/10			100	3 842 523 537

Material: Bracket: diecast aluminum, vibratory ground
designLINE bracket: painted (RAL 9006)
 Cap, intermediate element: PA, black
 Fastening material: steel, galvanized

Scope of delivery: *designLINE* set: *designLINE* bracket, cap, fastening material (FS)

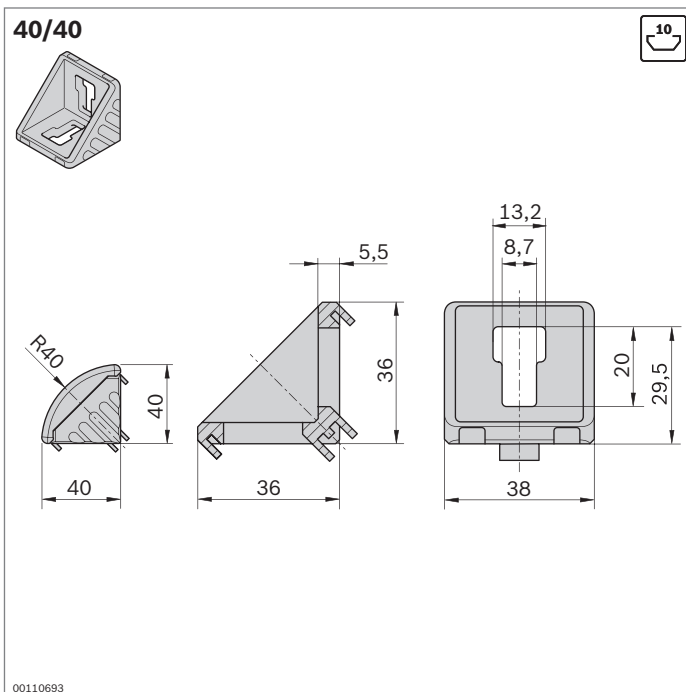
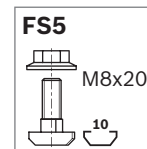
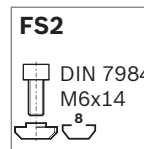




60/60	Slot	ESD	No.	FS
Set (standard)	8/8		1 3 842 523 549	8xFS2
	8/10		1 3 842 523 551	4xFS2, 1xFS5
	10/10		1 3 842 523 553	2xFS5
<i>designLINE</i> set	8/8		1 3 842 538 713	8xFS2
	8/10		1 3 842 538 714	4xFS2, 1xFS5
	10/10		1 3 842 538 715	2xFS5
Bracket (standard)	8		20 3 842 523 546	
Cap			20 3 842 523 555	
Intermediate element for 10 mm slot	10		100 3 842 523 537	

Material: Bracket: diecast aluminum, vibratory ground
designLINE bracket: painted (RAL 9006)
 Cap, intermediate element: PA, black
 Fastening material: steel, galvanized
 Scope of delivery: Set (standard): bracket, fastening material (FS)
designLINE set: *designLINE* bracket, cap, fastening material (FS)

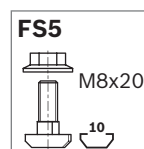
Type	Slot				
60/60	8	5000 N	320 Nm	370 Nm	110 Nm
	10	3000 N	125 Nm	150 Nm	-

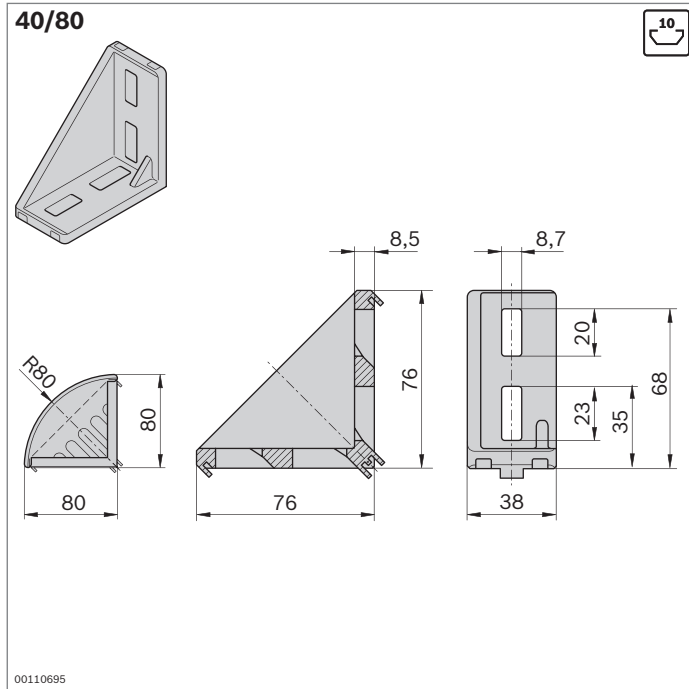


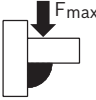
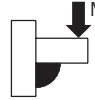
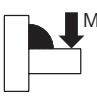
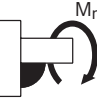
40/40	Slot	ESD	No.	FS
Set (standard)	10/10		1 3 842 529 383	2xFS5
<i>designLINE</i> set	10/10		1 3 842 538 716	2xFS5
Bracket (standard)	10		100 3 842 528 967	
Cap			100 3 842 529 007	






Material: Bracket: diecast aluminum, vibratory ground
designLINE bracket: painted (RAL 9006)
 Cap: PA, black
 Fastening material: steel, galvanized
 Scope of delivery: Set (standard): bracket, fastening material (FS)
designLINE set: *designLINE* bracket, cap, fastening material (FS)

Type				
40/40	3000 N	55 Nm	145 Nm	35 Nm



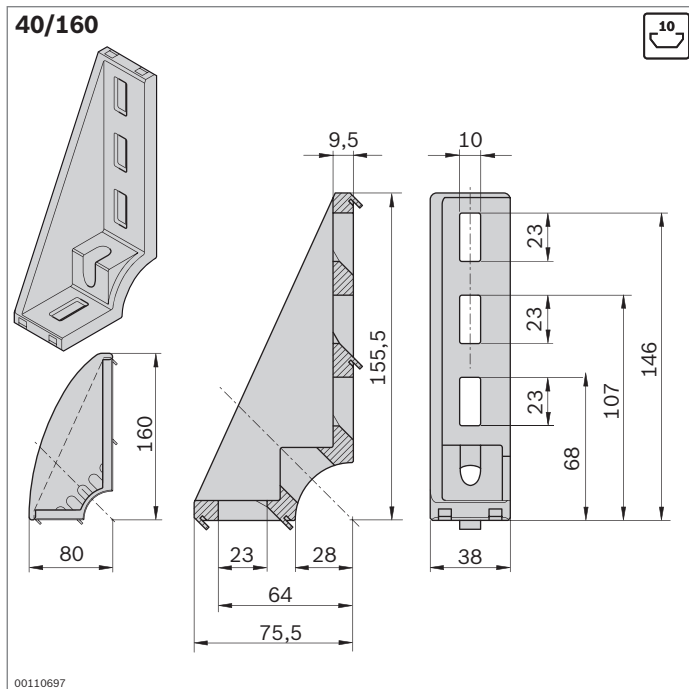
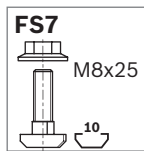


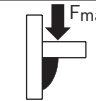


Type				
40/80	6000 N	180 Nm	400 Nm	60 Nm




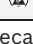
40/80	Slot	ESD		No.	FS
Set (standard)	10/10		1	3 842 529 386	4xFS7
<i>designLINE</i> set	10/10		1	3 842 538 717	4xFS7
Bracket (standard)	10		20	3 842 529 005	
Cap			20	3 842 529 008	

Material: Bracket: diecast aluminum, vibratory ground
designLINE bracket: painted (RAL 9006)
 Cap: PA, black
 Fastening material: steel, galvanized

Scope of delivery: Set (standard): bracket, fastening material (FS)
designLINE set: *designLINE* bracket, cap, fastening material (FS)

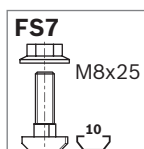


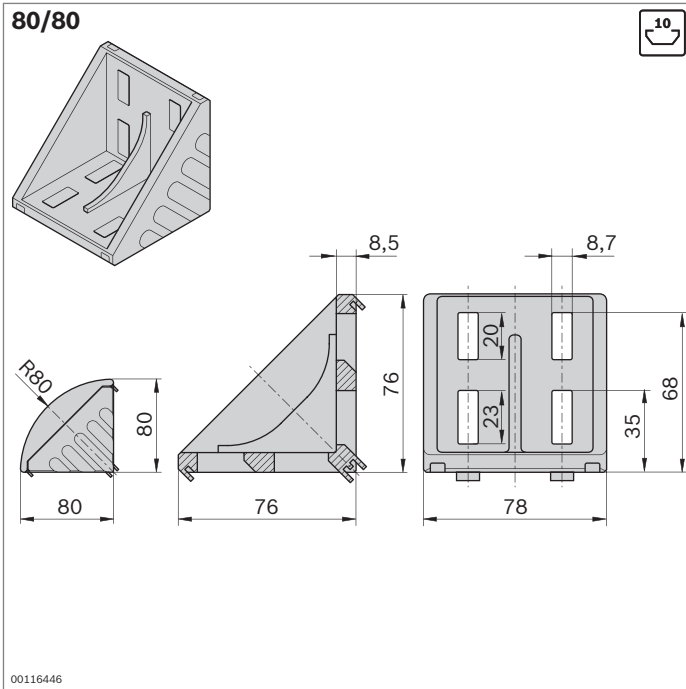
Type			
40/160	9000 N	250 Nm	60 Nm






40/160	Slot	ESD		No.	FS
<i>designLINE</i> set	10/10		1	3 842 538 749	2xFS7
Bracket (standard)	10		20	3 842 529 006	
Cap			20	3 842 529 009	

Material: Bracket: diecast aluminum, vibratory ground
designLINE bracket: painted (RAL 9006)
 Cap: PA, black
 Fastening material: steel, galvanized

Scope of delivery: *designLINE* set: *designLINE* bracket, cap, fastening material (FS)

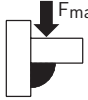
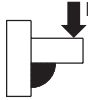
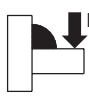



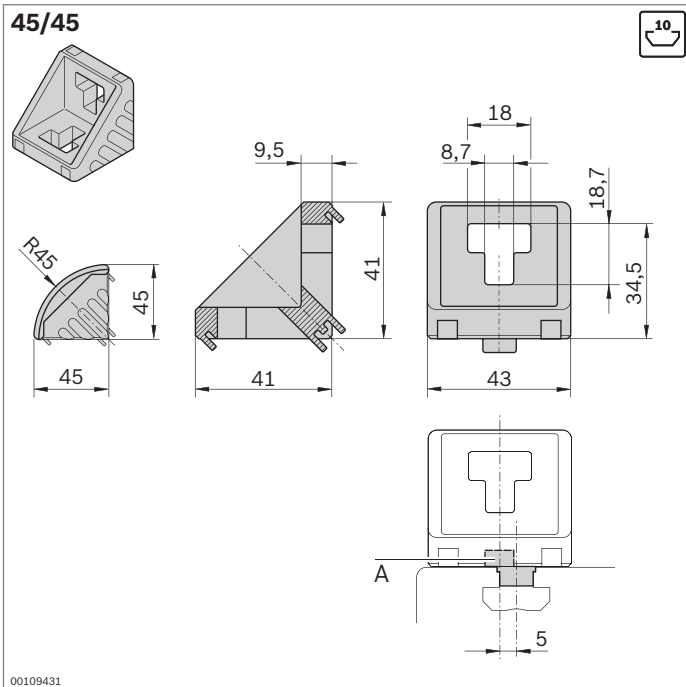
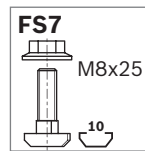




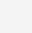

80/80	Slot	ESD		No.	FS
Set (standard)	10/10		1	3 842 530 360	8xFS7
<i>designLINE</i> set	10/10		1	3 842 538 718	8xFS7
Bracket (standard)	10		20	3 842 530 231	
Cap			20	3 842 530 232	

Material: Bracket: diecast aluminum, vibratory ground
designLINE bracket: painted (RAL 9006)
 Cap: PA, black
 Fastening material: steel, galvanized

Scope of delivery: Set (standard): bracket, fastening material (FS)
designLINE set: *designLINE* bracket, cap, fastening material (FS)


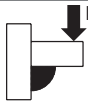
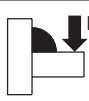

Type				
80/80	14000 N	500 Nm	1000 Nm	400 Nm

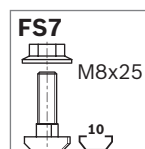


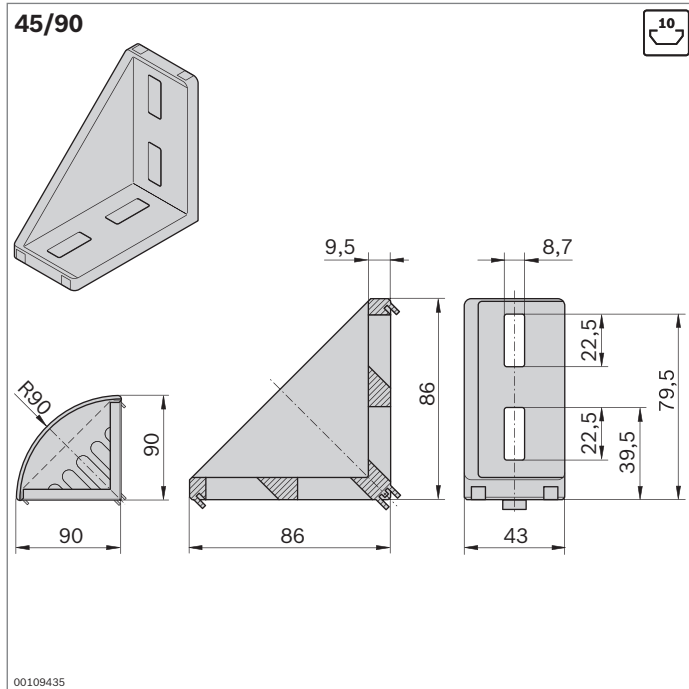
45/45	Slot	ESD		No.	FS
Set (standard)	10/10		1	3 842 523 561	2xFS7
<i>designLINE</i> set	10/10		1	3 842 538 719	2xFS7
Bracket (standard)	10		100	3 842 523 558	
Cap			100	3 842 523 563	
Sliding block, offset (A)	10		100	3 842 523 593	




Material: Bracket: diecast aluminum, vibratory ground
designLINE bracket: painted (RAL 9006)
 Cap, offset sliding block: PA, black
 Fastening material: steel, galvanized

Scope of delivery: Set (standard): bracket, fastening material (FS)
designLINE set: *designLINE* bracket, cap, fastening material (FS)

Type				
45/45	3000 N	60 Nm	160 Nm	—

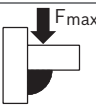
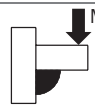
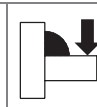



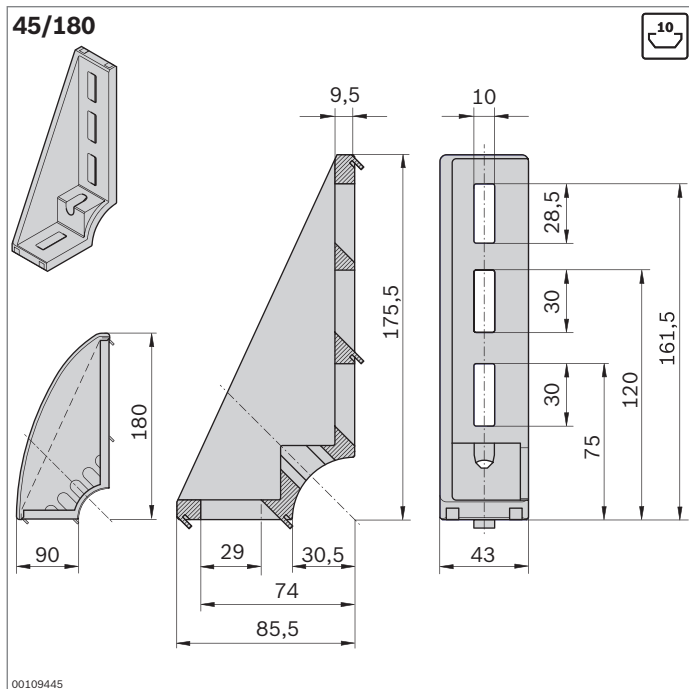
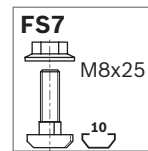




45/90	Slot	ESD		No.	FS
Set (standard)	10/10		1	3 842 523 570	4xFS7
<i>designLINE</i> set	10/10		1	3 842 538 720	4xFS7
Bracket (standard)	10		100	3 842 523 567	
Cap			100	3 842 523 572	

Material: Bracket: diecast aluminum, vibratory ground
designLINE bracket: painted (RAL 9006)
 Cap: PA, black
 Fastening material: steel, galvanized

Scope of delivery: Set (standard): bracket, fastening material (FS)
designLINE set: *designLINE* bracket, cap, fastening material (FS)

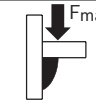


Type				
45/90	6000 N	180 Nm	400 Nm	60 Nm

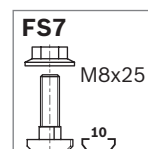


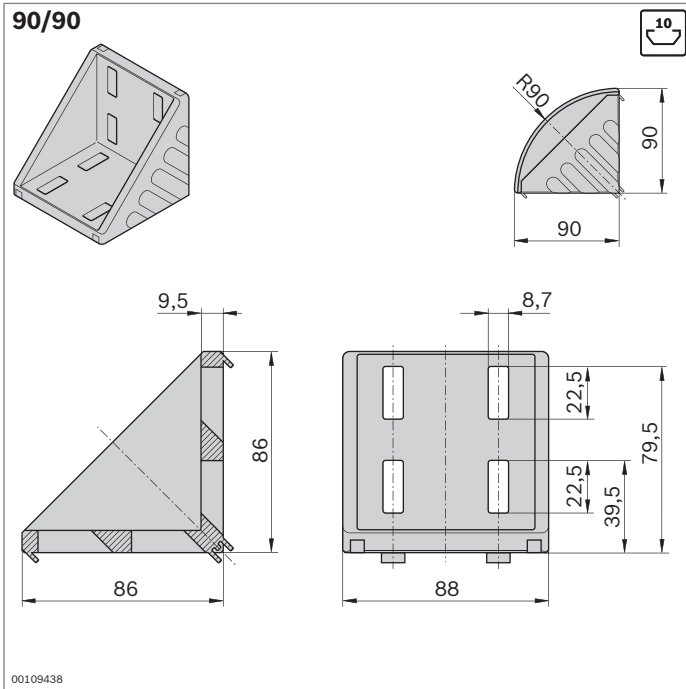
45/180	Slot	ESD		No.	FS
<i>designLINE</i> set	10/10		1	3 842 538 750	2xFS7
Bracket (standard)	10		20	3 842 523 583	
Cap			20	3 842 523 585	




Material: Bracket: diecast aluminum, vibratory ground
designLINE bracket: painted (RAL 9006)
 Cap: PA, black
 Fastening material: steel, galvanized

Scope of delivery: *designLINE* set: *designLINE* bracket, cap, fastening material (FS)

Type			
45/180	9000 N	250 Nm	65 Nm

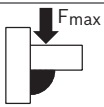
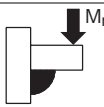

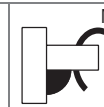


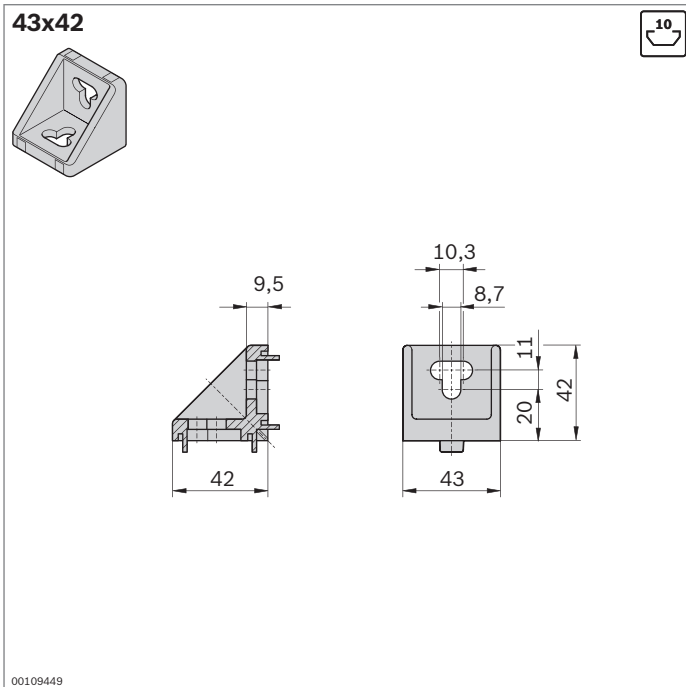
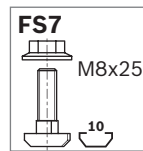





90/90	Slot	ESD		No.	FS
Set (standard)	10/10		1	3 842 523 578	8xFS7
<i>designLINE</i> set	10/10		1	3 842 538 721	8xFS7
Bracket (standard)	10		20	3 842 523 575	
Cap			20	3 842 523 580	

Material: Bracket: diecast aluminum, vibratory ground
designLINE bracket: painted (RAL 9006)
 Cap: PA, black
 Fastening material: steel, galvanized

Scope of delivery: Set (standard): bracket, fastening material (FS)
designLINE set: *designLINE* bracket, cap, fastening material (FS)

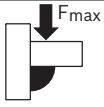
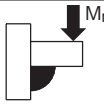
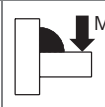
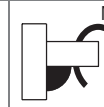
Type				
90/90	12000 N	370 Nm	800 Nm	200 Nm

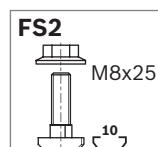


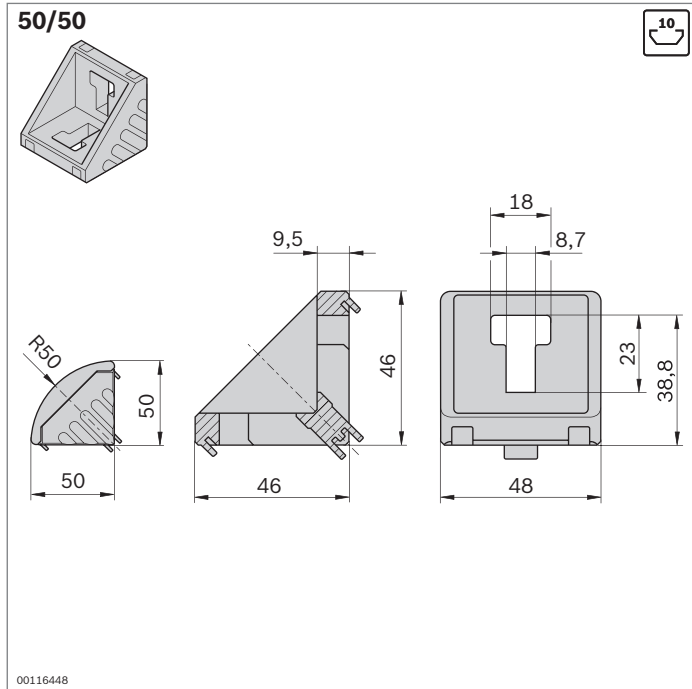
43x42	Slot	ESD		No.	FS
Set (standard)	10/10		1	3 842 352 009	2xFS2
Bracket (standard)	10		100	3 842 348 526	




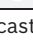
Material: Bracket: die-cast aluminum
 Fastening material: steel, galvanized

Scope of delivery: Set incl. fastening material (FS)

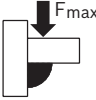
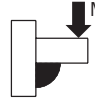
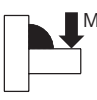
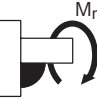
Type				
43x42	2000 N	-	160 Nm	-

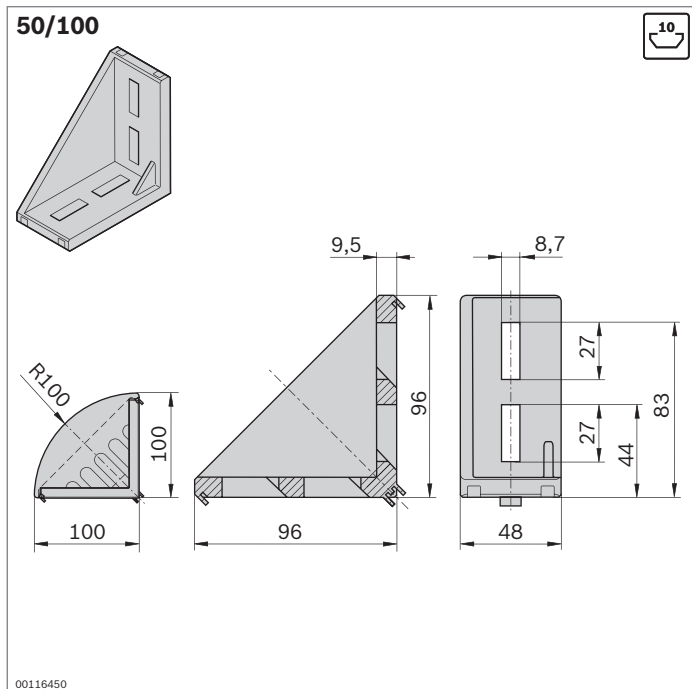
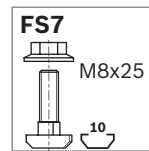








50/50	Slot	ESD		No.	FS
Set (standard)	10/10		1	3 842 530 259	2xFS7
Bracket (standard)	10		20	3 842 530 381	
Cap			20	3 842 530 383	

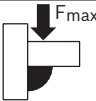
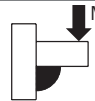


Material: Bracket: diecast aluminum, vibratory ground
 Cap: PA, black
 Fastening material: steel, galvanized
 Scope of delivery: Set (standard): bracket, fastening material (FS)

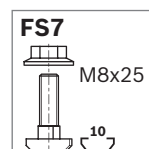
Type				
50/50	4000 N	125 Nm	250 Nm	38 Nm

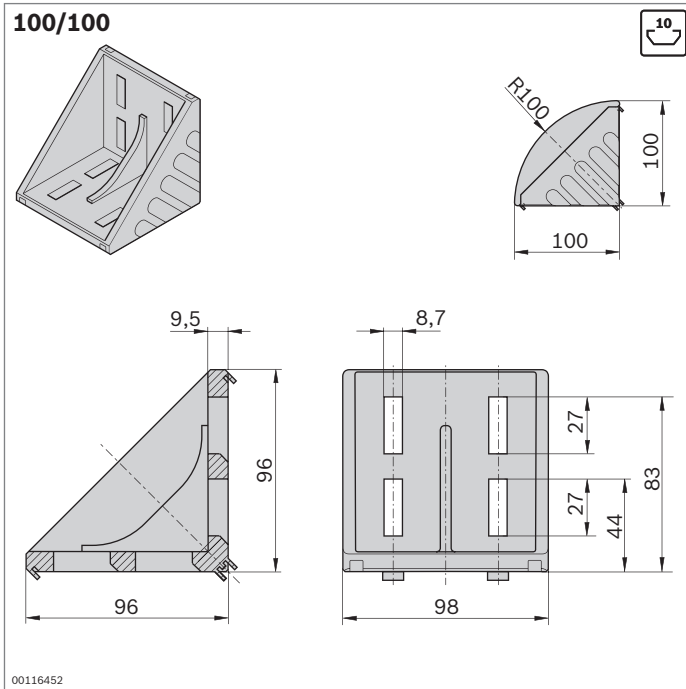






50/100	Slot	ESD		No.	FS
Set (standard)	10/10		1	3 842 530 260	4xFS7
Bracket (standard)	10		20	3 842 530 382	
Cap			20	3 842 530 384	

Material: Bracket: diecast aluminum, vibratory ground
 Cap: PA, black
 Fastening material: steel, galvanized
 Scope of delivery: Set (standard): bracket, fastening material (FS)

Type				
50/100	7500 N	300 Nm	600 Nm	73 Nm



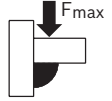
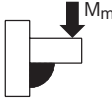
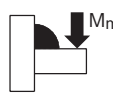
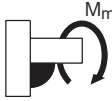


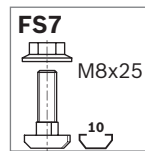
100/100	Slot	ESD		No.	FS
Set (standard)	10/10		1	3 842 530 361	8xFS7
Bracket (standard)	10		20	3 842 530 460	
Cap			20	3 842 530 461	

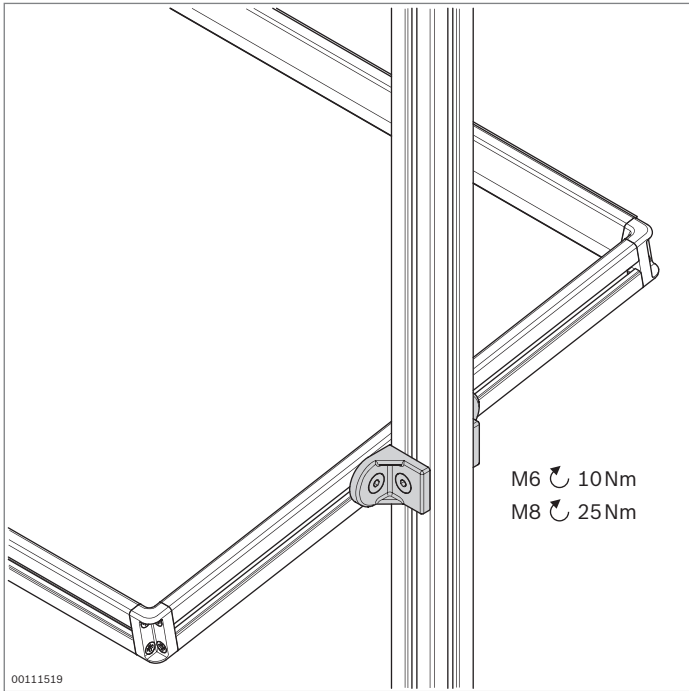
Material: Bracket: diecast aluminum, vibratory ground
 Cap: PA, black
 Fastening material: steel, galvanized

Scope of delivery: Set (standard): bracket, fastening material (FS)

3

Type				
100/100	15000 N	550 Nm	1100 Nm	480 Nm

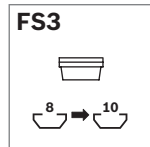
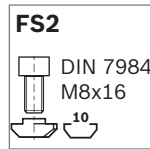
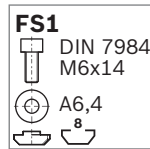
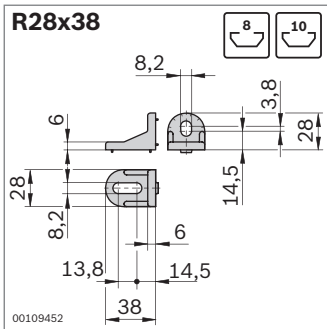




Bracket R



- ▶ For connecting profiles at any angle
- ▶ No interfering edges thanks to rounded bracket
- ▶ Brackets with centering lugs for rapid, precise assembly with protection against turning
- ▶ Centering lugs can be easily broken off for assembly on plates or at right angles to the slot
- ▶ *designLINE* version with special silver paint (RAL 9006) for an attractive, high-quality design
- ▶ Profile finishing: not required



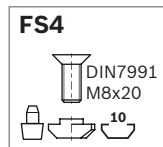
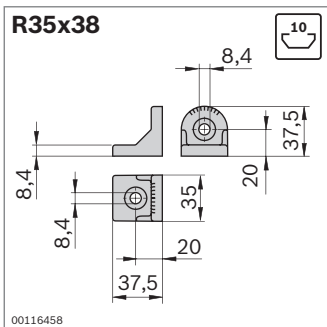
R28x38	Slot	ESD	No.	FS
Set (standard)	8/10		1	3 842 515 547 FS1, FS2, 2xFS3
	10/10		1	3 842 521 580 2xFS2, 4xFS3
<i>designLINE</i> set	8/10		1	3 842 538 703 FS1, FS2, 2xFS3
	10/10		1	3 842 538 704 2xFS2, 4xFS3
Bracket (standard)	8, 10		100	3 842 515 473

Material:

Bracket: diecast zinc
designLINE bracket: painted (RAL 9006)
Intermediate element: PA, black
Fastening material: steel, galvanized

Scope of delivery:

Set (standard): bracket, fastening material (FS)
designLINE set: *designLINE* bracket, fastening material (FS)



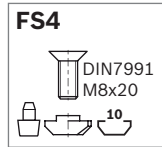
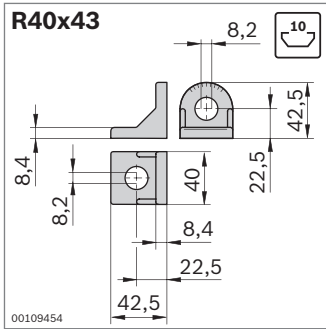
R35x38	Slot	ESD	No.	FS
Set (standard)	10/10		1	3 842 532 274 2xFS4
<i>designLINE</i> set	10/10		1	3 842 538 705 2xFS4
Bracket (standard)	10		100	3 842 529 020

Material:

Bracket: die-cast aluminum
designLINE bracket: painted (RAL 9006)
Centering bolts: PA6, black
Fastening material: steel, galvanized

Scope of delivery:

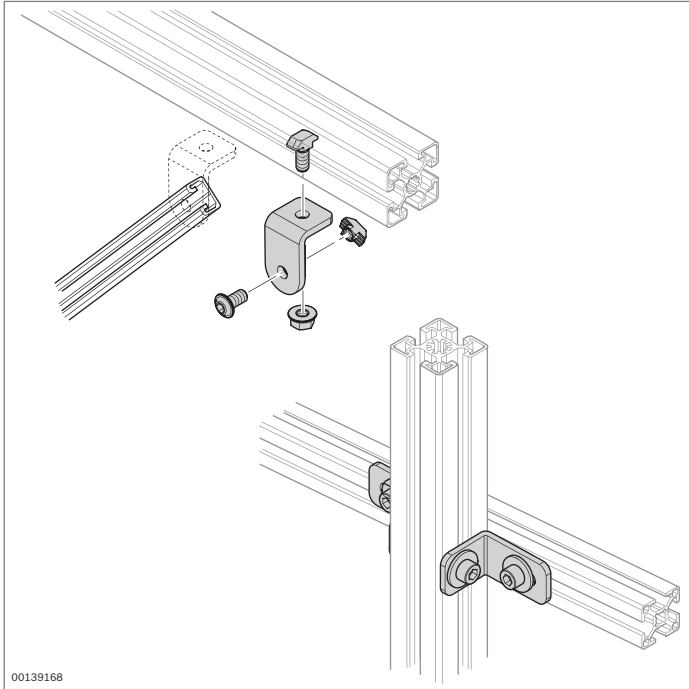
Set (standard): bracket, fastening material (FS)
designLINE set: *designLINE* bracket, fastening material (FS)



R40x43	Slot	ESD		No.	FS
Set (standard)	10/10		1	3 842 518 424	2xFS4
<i>designLINE</i> set	10/10		1	3 842 538 706	2xFS4
Bracket (standard)	10		100	3 842 504 760	

Material: Bracket: diecast zinc
designLINE bracket: painted (RAL 9006)
 Centering bolts: PA6, black
 Fastening material: steel, galvanized

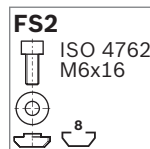
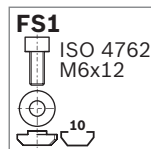
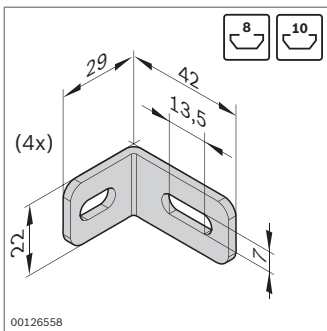
Scope of delivery: Set (standard): bracket, fastening material (FS)
designLINE set: *designLINE* bracket, fastening material (FS)



Steel bracket



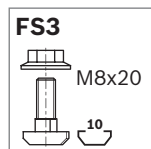
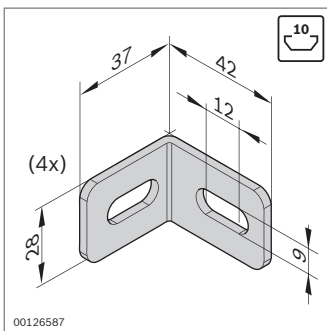
- ▶ Steel bracket without centering lugs for fastening at any angle
- ▶ Profile finishing: not required



Bracket set	Slot	ESD	No.	FS
	8/10		Set 3 842 537 862	4xFS1, 4xFS2

Material: Steel, galvanized
Fastening material: steel, galvanized

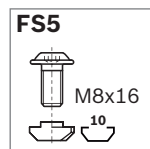
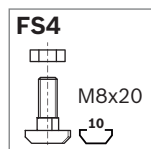
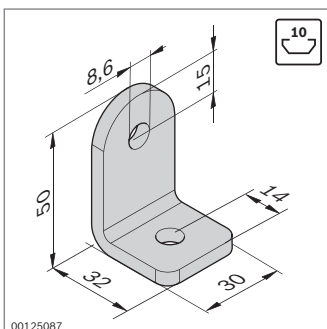
Scope of delivery: 4x bracket, fastening material (FS)



Bracket set	Slot	ESD	No.	FS
	10/10		Set 3 842 537 861	8xFS3

Material: Steel, galvanized
Fastening material: steel, galvanized

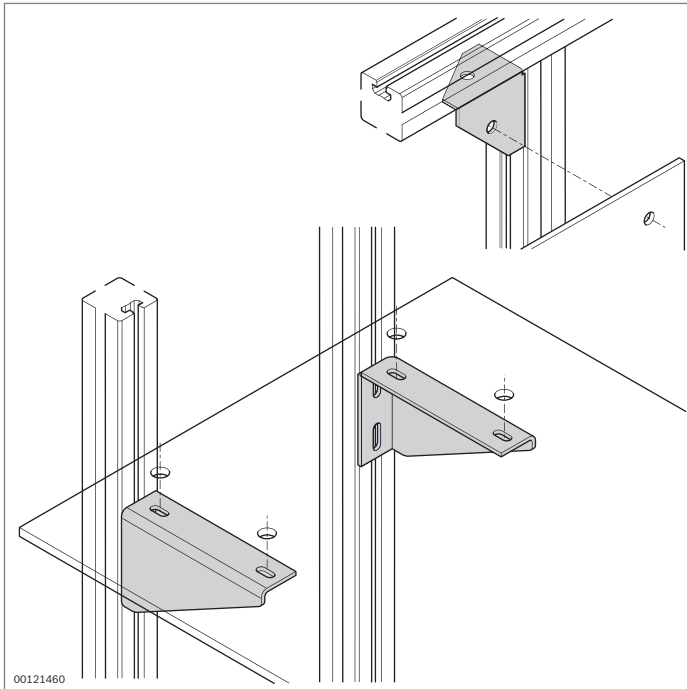
Scope of delivery: 4x bracket, fastening material (FS)



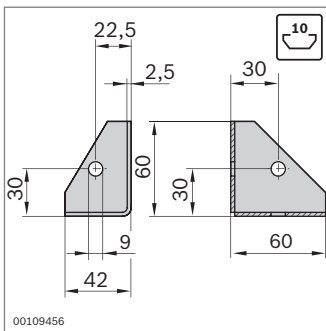
Bracket set	Slot	ESD	No.	FS
	10/10		20 3 842 536 729	FS4, FS5

Material: Steel, galvanized
Fastening material: steel, galvanized

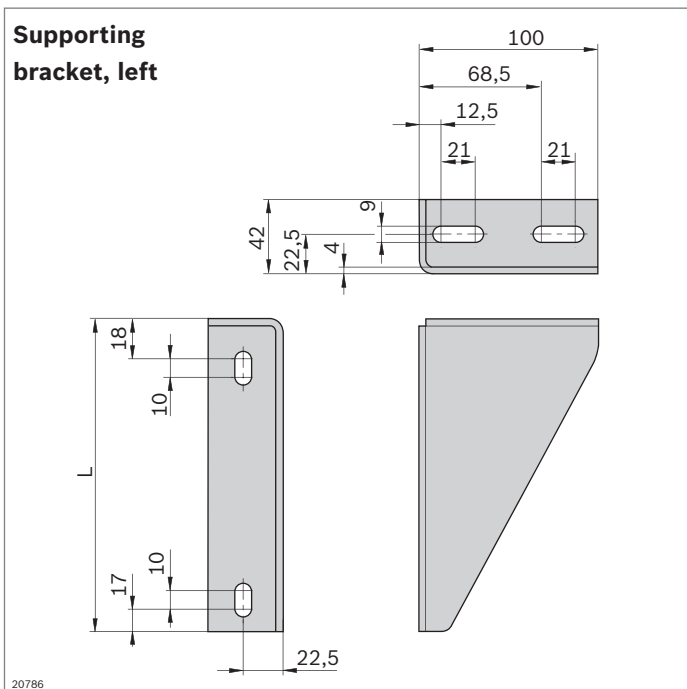
Scope of delivery: Incl. fastening material (FS)



00121460



00109456



20786

Metal bracket Supporting bracket



Metal bracket

- ▶ Metal bracket for right-angled profile connections
- ▶ Screw fitting of surface elements in the stiffening fin bore
- ▶ Profile finishing: not required

Supporting bracket

- ▶ Supporting bracket for fastening surface elements to profiles, e.g. for shelves
- ▶ Profile finishing: not required

Metal bracket	ESD	No.
	20	3 842 146 813

Material: Sheet steel, galvanized

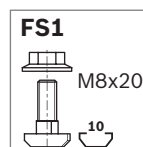
Required accessories:

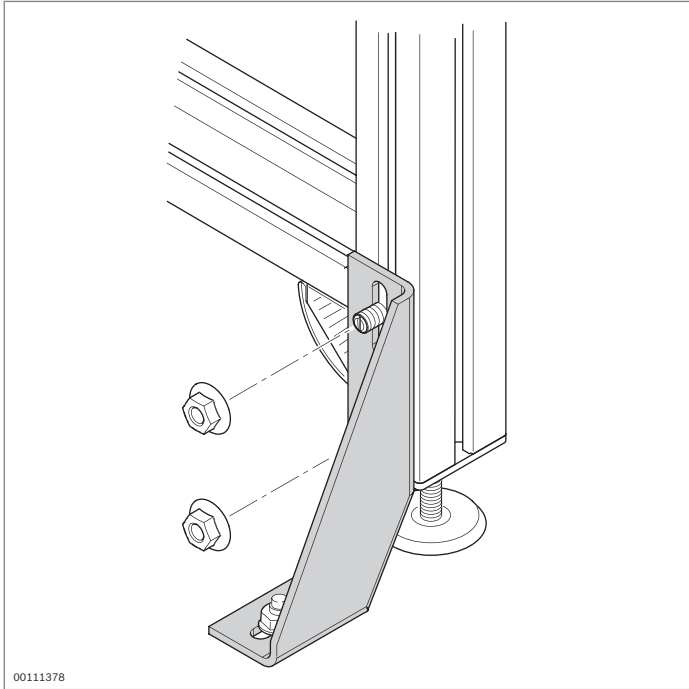
- ▶ T-bolt M8x20, 10 mm slot, **3 842 528 715** (p. 3-6)
- ▶ Flange nut M8, **3 842 345 081** (p. 3-6)

Supporting bracket	L (mm)	ESD	No.	FS
Left	255		3 842 536 119	2xFS1
	335		3 842 536 121	2xFS1
	415		3 842 536 123	2xFS1
	495		3 842 536 125	2xFS1
Right	255		3 842 536 120	2xFS1
	335		3 842 536 122	2xFS1
	415		3 842 536 124	2xFS1
	495		3 842 536 126	2xFS1

Material: Sheet steel, powder-coated, RAL 7037
Fastening material: steel, galvanized

Scope of delivery: Incl. fastening material (FS)





00111378

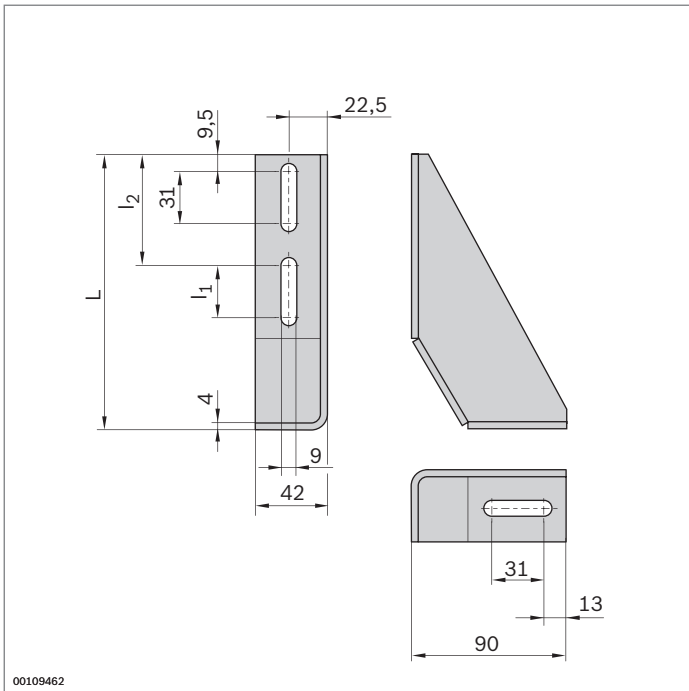
Foundation bracket



- ▶ Foundation bracket for securing frames to the floor
- ▶ The hole for the floor dowel can be bored without removing the foundation bracket
- ▶ Profile finishing: not required

Required accessories:

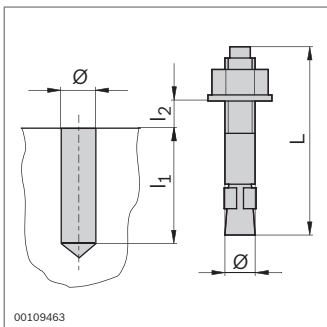
- ▶ T-bolt M8x20, 10 mm slot, **3 842 528 715** (p. 3-6)
- ▶ Flange nut M8, **3 842 345 081** (p. 3-6)
- ▶ Floor dowel



00109462

Foundation bracket	L (mm)	l ₁ (mm)	l ₂ (mm)		No.
	160	31	64.5	20	3 842 146 815
	210	91	54.5	20	3 842 146 848

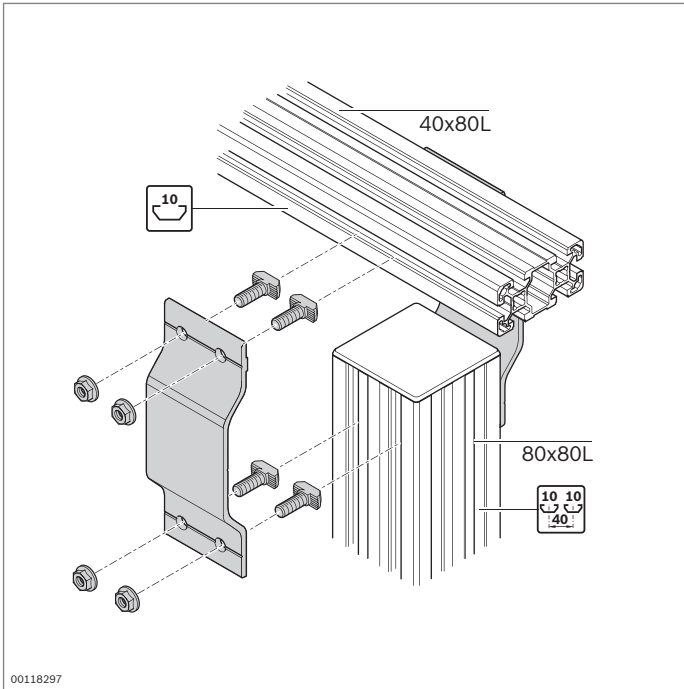
Material: Steel, galvanized, chromated transparent



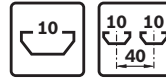
00109463

Floor dowel	Ø	L (mm)	l ₁ (mm)	l _{2 max} (mm)		No.
	8	80	65	15	100	3 842 526 560

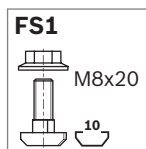
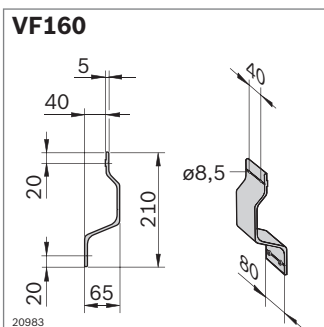
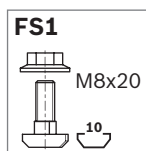
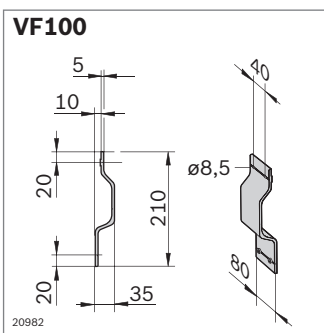
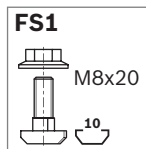
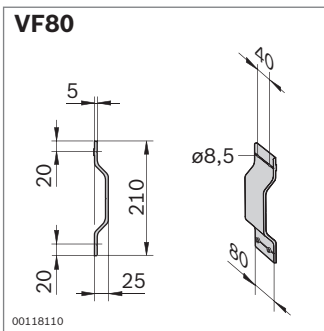
Material: Steel, galvanized



Holder



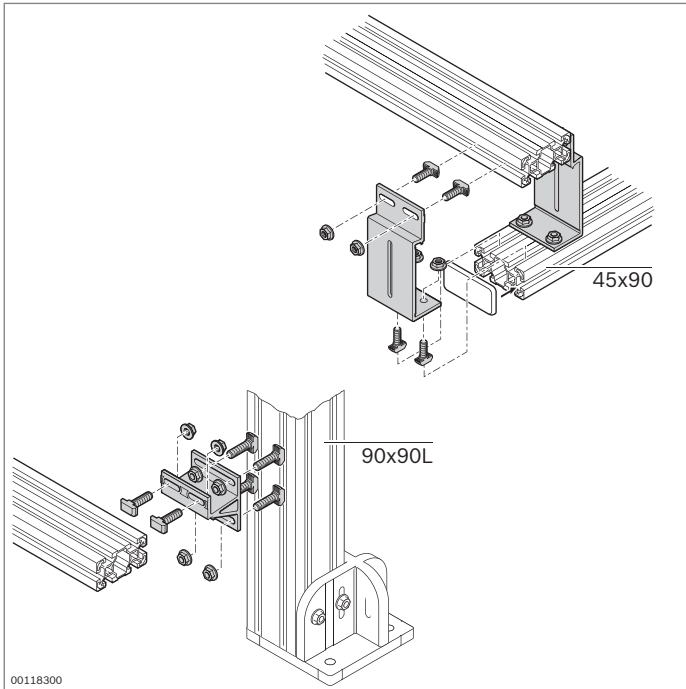
- ▶ For right-angled profile connections with defined spacing, e.g. for floor supports made of 80x80L profiles
- ▶ Longitudinal connection possible in all profiles with 10 mm slot
- ▶ Transverse connection possible with 40 mm slot spacing
- ▶ Profile finishing: not required



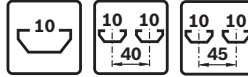
Holder	No.	FS
VF80	Set 3 842 533 293	8xFS1
Material:	Holder: aluminum, anodized, natural Fastening material: steel, galvanized	
Scope of delivery:	2x holder, fastening material (FS)	

Holder	No.	FS
VF100	Set 3 842 533 294	8xFS1
Material:	Holder: aluminum, anodized, natural Fastening material: steel, galvanized	
Scope of delivery:	2x holder, fastening material (FS)	

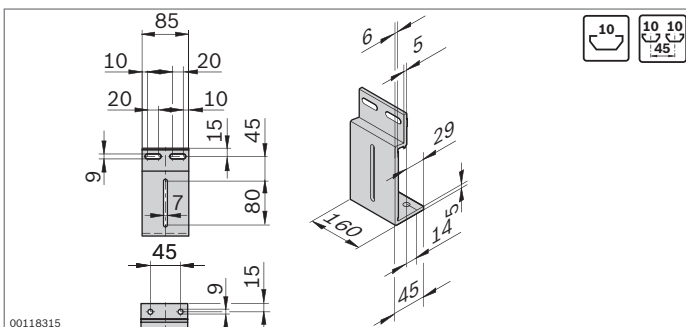
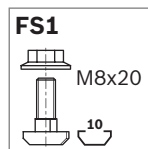
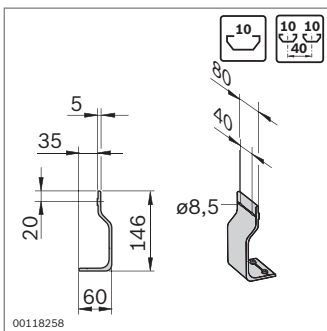
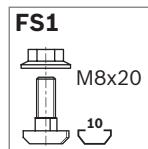
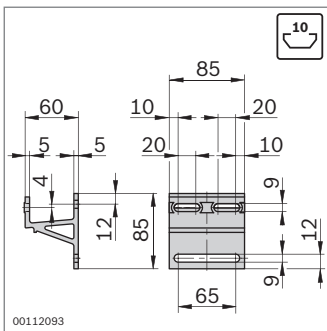
Holder	No.	FS
VF160	Set 3 842 533 295	8xFS1
Material:	Holder: aluminum, anodized, natural Fastening material: steel, galvanized	
Scope of delivery:	2x holder, fastening material (FS)	



Supporting bracket



- ▶ Supporting bracket for connecting two profiles with defined spacing
- ▶ Profile finishing: not required



Supporting bracket	No.	FS
	3 842 531 146	6xFS1

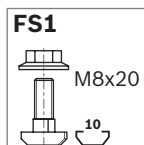
Material: Holder: aluminum, natural, anodized
Fastening material: steel, galvanized
Scope of delivery: Incl. fastening material (FS)

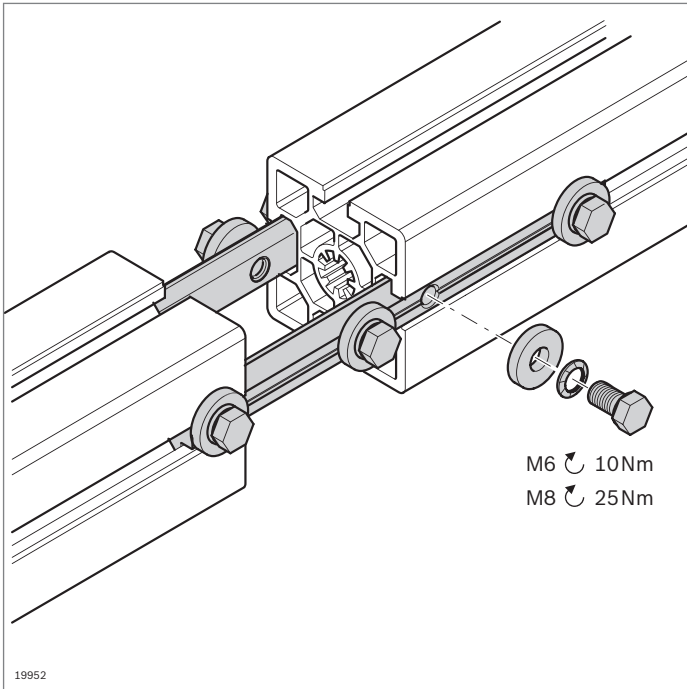
Supporting bracket	No.	FS
	Set 3 842 533 296	8xFS1

Material: Holder: aluminum, natural, anodized
Fastening material: steel, galvanized
Scope of delivery: 2x supporting bracket, fastening material (FS)

Supporting bracket	No.	FS
	Set 3 842 531 144	8xFS1

Material: Holder: aluminum, natural, anodized
Fastening material: steel, galvanized
Scope of delivery: 2x supporting bracket, fastening material (FS)

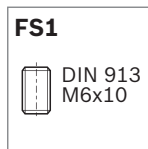
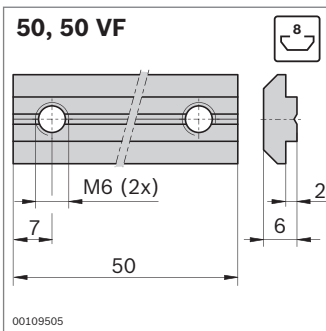




Profile connector



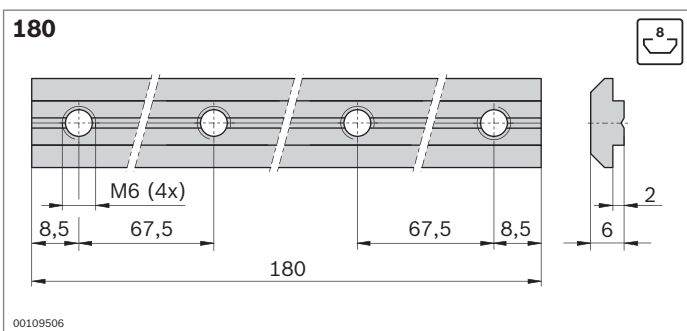
- ▶ Profile connector for end-to-end joining of any profiles
- ▶ For extra stable connections: one profile connector per slot
- ▶ Profile finishing: not required



Profile connector	Slot	No.	FS
50 VF	8	10	3 842 536 787 2xFS2
50	8	1	3 842 518 427 2xFS1

Material: Steel, galvanized, chromated transparent
Fastening material: steel, galvanized

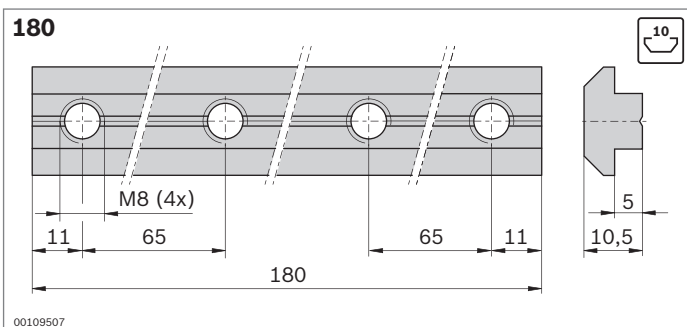
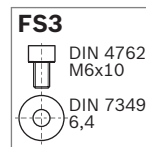
Scope of delivery: Incl. fastening material (FS)



Profile connector	Slot	No.	FS
180	8	3 842 521 216	4xFS3

Material: Steel, galvanized, chromated transparent
Fastening material: steel, galvanized

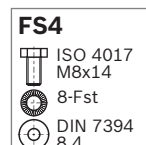
Scope of delivery: Incl. fastening material (FS)

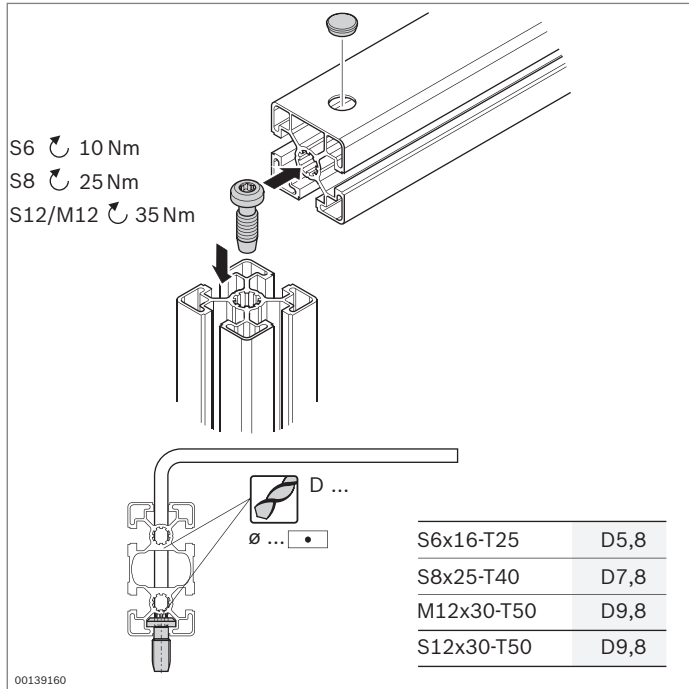


Profile connector	Slot	No.	FS
180	10	3 842 528 746	4xFS4

Material: Steel, galvanized, chromated transparent
Fastening material: steel, galvanized

Scope of delivery: Incl. fastening material (FS)





Central bolt, Anti-torsion element, cap

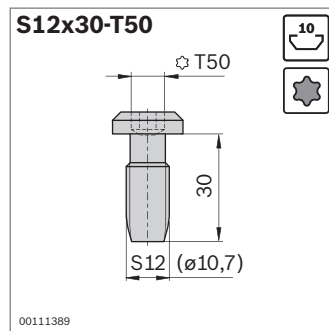
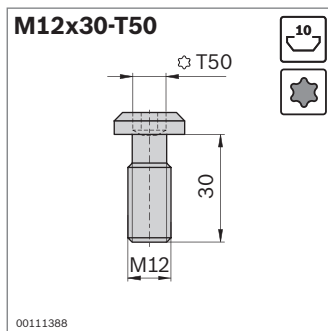
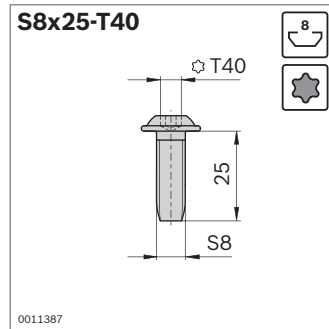
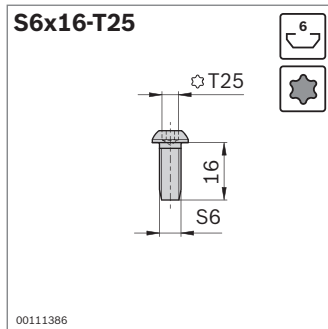


Central bolts

- ▶ Best-value connecting element
- ▶ Self-tapping screw, can be mounted without profile finishing
- ▶ Profile finishing:
 - Thread cutting for M12x30 screw
 - Through hole for screwdriver/offset screwdriver

Tool:

Offset screwdriver (p. 14-6)



Central bolts	Slot	ESD	No.
S6x16-T25 (self-tapping)	6	⚡	100 3 842 528 593
S8x25-T40 (self-tapping)	8	⚡	100 3 842 527 174

Material: Steel, galvanized, chromated transparent

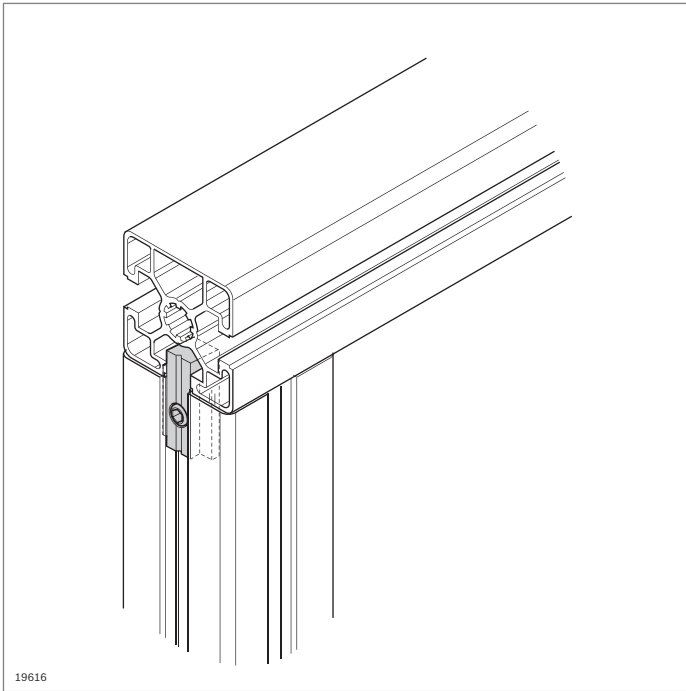
Central bolts	Slot	ESD	No.
M12x30-T50	10	⚡	100 3 842 530 235
S12x30-T50 (self-tapping)	10	⚡	100 3 842 530 236

Material: Steel, galvanized, chromated transparent

Size	F_{max}	M_{max}
S6	500 N	8 Nm
S8	800 N	43 Nm
S12	1300 N ¹⁾	80 Nm
M12	3000 N ²⁾	80 Nm

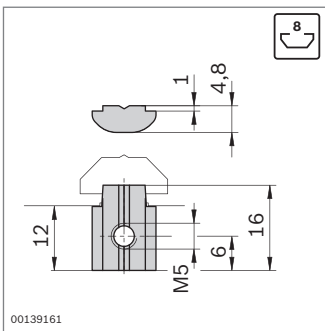
¹⁾ Only applies for S12

²⁾ Only applies for M12



Anti-torsion element


- ▶ Provides torsion resistance for profile connections with central bolts or quick connectors
- ▶ Subsequent installation in the connection possible



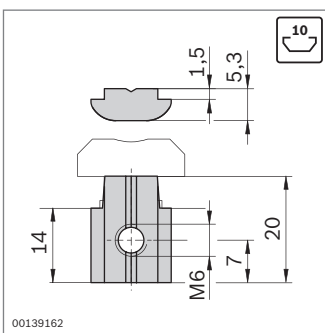
FS1




DIN 916
M5x8

Anti-torsion element	Slot		No.	FS
	8	10	3 842 530 325	FS1


Material: Steel, galvanized, chromated transparent
Fastening material: steel, galvanized



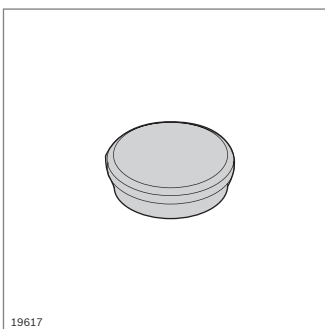
FS2



DIN 916
M6x12


Anti-torsion element	Slot		No.	FS
	10	10	3 842 530 326	FS2

Material: Steel, galvanized, chromated transparent
Fastening material: steel, galvanized

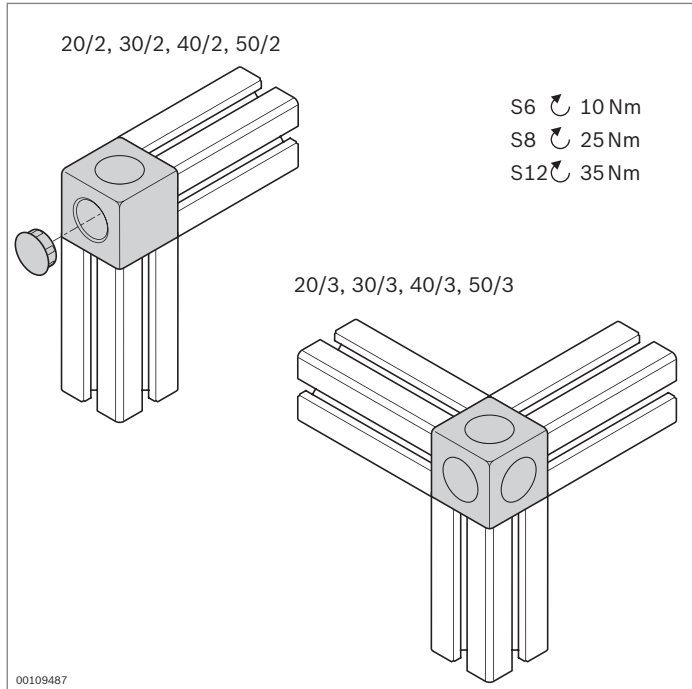


Cap

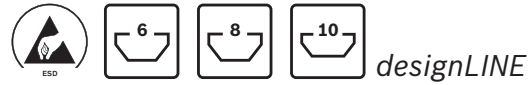
- ▶ For sealing through holes in closed profiles

Cap	ø		No.
	5.8	100	3 842 538 565
	7.8	100	3 842 538 566
	9.8	100	3 842 538 567

Material: PA, light gray RAL 7035

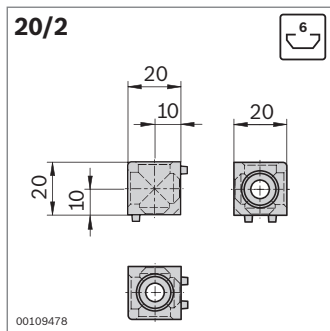


Cubic connector

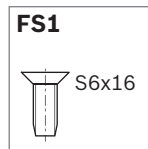


- ▶ For torsion-proof corner connections of profiles with equivalent cross-sections
- ▶ *designLINE* version with special silver paint (RAL 9006) for an attractive, high-quality design
- ▶ Caps to cover the openings
- ▶ Screw fitting on profile with self-tapping screws
- ▶ Profile finishing: not required

Technical data (p. 19-8)



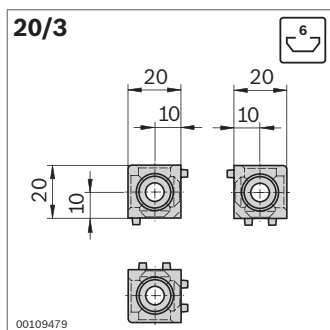
Type	
20/2	18 Nm



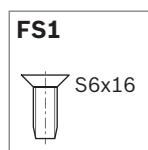
Cubic connector 20/2	Slot	ESD	No.	FS
Set (standard)	6		1 3 842 524 484	2xFS1
<i>designLINE</i> set	6		1 3 842 538 725	2xFS1
Cubic connector	6		20 3 842 523 875	
Cap D12			100 3 842 525 103	
Countersunk screw S6x16	6		100 3 842 517 132	

Material: Cubic connector: diecast aluminum
designLINE cubic connector: painted (RAL 9006)
Cap: PE, black
Fastening material: steel, galvanized

Scope of delivery: Set incl. fastening material (FS), caps



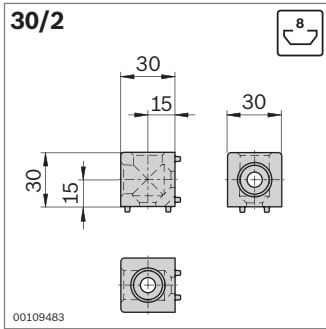
Type	
20/3	23 Nm



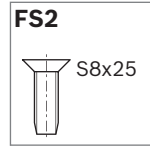
Cubic connector 20/3	Slot	ESD	No.	FS
Set (standard)	6		1 3 842 524 478	3xFS1
<i>designLINE</i> set	6		1 3 842 538 726	3xFS1
Cubic connector	6		20 3 842 523 872	
Cap D12			100 3 842 525 103	
Countersunk screw S6x16	6		100 3 842 517 132	

Material: Cubic connector: diecast aluminum
designLINE cubic connector: painted (RAL 9006)
Cap: PE, black
Fastening material: steel, galvanized

Scope of delivery: Set incl. fastening material (FS), caps



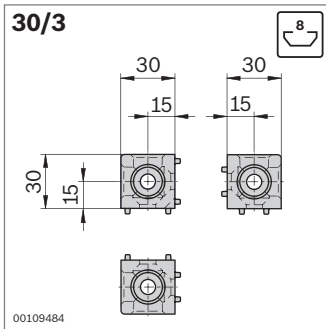
Type	
30/2	80 Nm



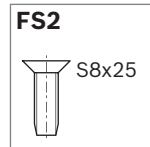
Cubic connector 30/2	Slot	ESD	No.	FS
Set (standard)	8		1	3 842 524 485 2xFS2
<i>designLINE</i> set	8		1	3 842 538 727 2xFS2
Cubic connector	8		20	3 842 523 876
Cap D18			100	3 842 525 104
Countersunk screw S8x25	8		100	3 842 517 543

Material: Cubic connector: diecast aluminum
designLINE cubic connector: painted (RAL 9006)
 Cap: PE, black
 Fastening material: steel, galvanized

Scope of delivery: Set incl. fastening material (FS), caps



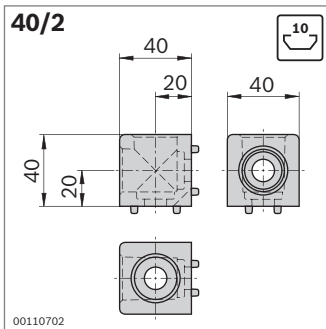
Type	
30/3	85 Nm



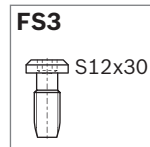
Cubic connector 30/3	Slot	ESD	No.	FS
Set (standard)	8		1	3 842 524 479 3xFS2
<i>designLINE</i> set	8		1	3 842 538 728 3xFS2
Cubic connector	8		20	3 842 523 873
Cap D18			100	3 842 525 104
Countersunk screw S8x25	8		100	3 842 517 543

Material: Cubic connector: diecast aluminum
designLINE cubic connector: painted (RAL 9006)
 Cap: PE, black
 Fastening material: steel, galvanized

Scope of delivery: Set incl. fastening material (FS), caps



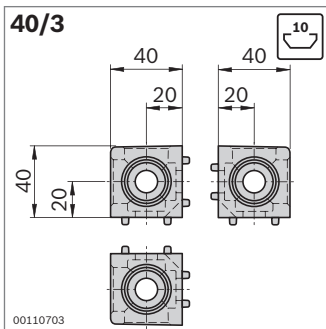
Type	
40/2	60 Nm



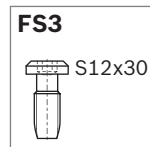
Cubic connector 40/2	Slot	ESD	No.	FS
Set (standard)	10		1	3 842 529 395 2xFS3
<i>designLINE</i> set	10		1	3 842 538 729 2xFS3
Cubic connector	10		20	3 842 529 010
Cap D24			100	3 842 525 105
Countersunk screw S12x30	10		100	3 842 530 236

Material: Cubic connector: diecast aluminum
designLINE cubic connector: painted (RAL 9006)
 Cap: PE, black
 Fastening material: steel, galvanized

Scope of delivery: Set incl. fastening material (FS), caps



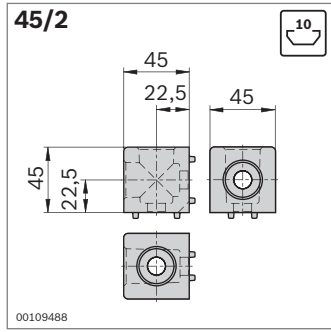
Type	
40/3	70 Nm



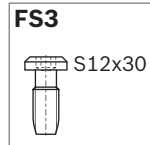
Cubic connector 40/3	Slot	ESD	No.	FS
Set (standard)	10		1	3 842 529 397 3xFS3
<i>designLINE</i> set	10		1	3 842 538 730 3xFS3
Cubic connector	10		20	3 842 529 011
Cap D24			100	3 842 525 105
Countersunk screw S12x30	10		100	3 842 530 236

Material: Cubic connector: diecast aluminum
designLINE cubic connector: painted (RAL 9006)
 Cap: PE, black
 Fastening material: steel, galvanized

Scope of delivery: Set incl. fastening material (FS), caps



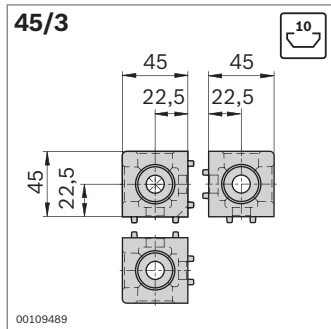
Type		
45/2	45x45L	150 Nm
	45x45	200 Nm



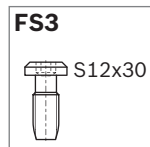
Cubic connector 45/2	Slot	ESD		No.	FS
Set (standard)	10		1	3 842 524 486	2xFS3
<i>designLINE</i> set	10		1	3 842 538 731	2xFS3
Cubic connector	10		20	3 842 523 877	
Cap			100	3 842 525 105	
Countersunk screw S12x30	10		100	3 842 530 236	

Material: Cubic connector: diecast aluminum
designLINE cubic connector: painted (RAL 9006)
 Cap: PE, black
 Fastening material: steel, galvanized

Scope of delivery: Set incl. fastening material (FS), caps



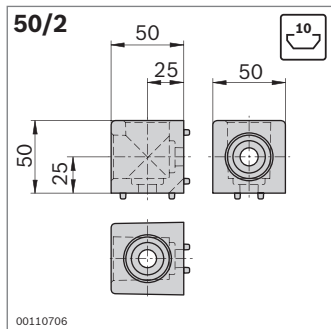
Type		
45/3	45x45L	170 Nm
	45x45	240 Nm



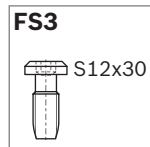
Cubic connector 45/3	Slot	ESD		No.	FS
Set (standard)	10		1	3 842 524 480	3xFS3
<i>designLINE</i> set	10		1	3 842 538 732	3xFS3
Cubic connector	10		20	3 842 523 874	
Cap			100	3 842 525 105	
Countersunk screw S12x30	10		100	3 842 530 236	

Material: Cubic connector: diecast aluminum
designLINE cubic connector: painted (RAL 9006)
 Cap: PE, black
 Fastening material: steel, galvanized

Scope of delivery: Set incl. fastening material (FS), caps



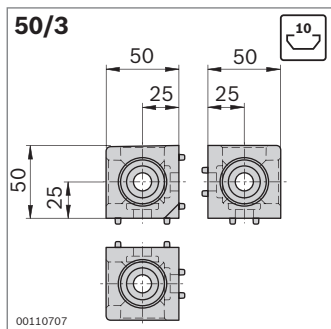
Type		
50/2		120 Nm



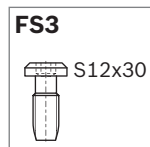
Cubic connector 50/2	Slot	ESD		No.	FS
Set (standard)	10		1	3 842 529 399	2xFS3
Cubic connector	10		20	3 842 529 012	
Cap			100	3 842 529 021	
Countersunk screw S12x30	10		100	3 842 530 236	

Material: Cubic connector: diecast aluminum
 Cap: PE, black
 Fastening material: steel, galvanized

Scope of delivery: Set incl. fastening material (FS), caps



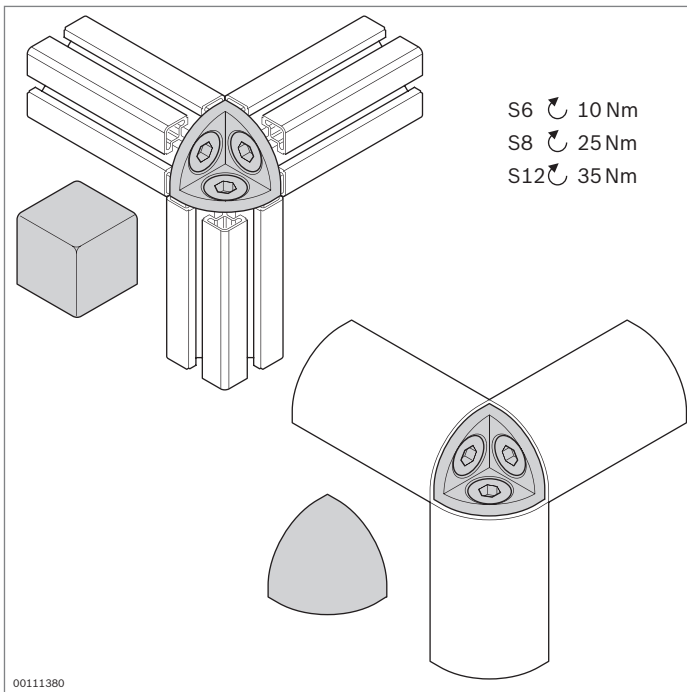
Type		
50/3		140 Nm



Cubic connector 50/3	Slot	ESD		No.	FS
Set (standard)	10		1	3 842 529 401	3xFS3
Cubic connector	10		20	3 842 529 013	
Cap			100	3 842 529 021	
Countersunk screw S12x30	10		100	3 842 530 236	

Material: Cubic connector: diecast aluminum
 Cap: PE, black
 Fastening material: steel, galvanized

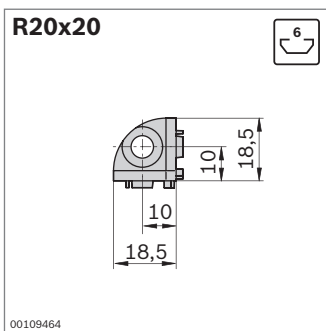
Scope of delivery: Set incl. fastening material (FS), caps



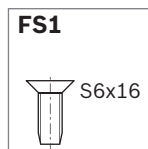
Corner bracket



- ▶ Corner bracket for corner connection of three square or half-round profiles with equivalent cross-sections
- ▶ Screw fitting on profiles with self-tapping screws
- ▶ Ball or cubic caps to prevent injuries and avoid dirt
- ▶ Profile finishing: not required



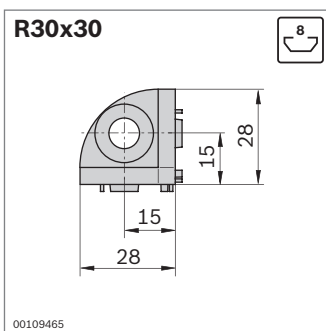
Type	
20/3	23 Nm



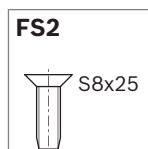
R20x20	Slot	ESD No.	FS
Corner bracket	6		3 842 519 318 3xFS1
Cap K (ball)			3 842 517 146
Cap W (cube)			3 842 517 147

Material: Corner bracket: diecast zinc
Caps: PA, black
Fastening material: steel, galvanized

Scope of delivery: Incl. fastening material (FS)



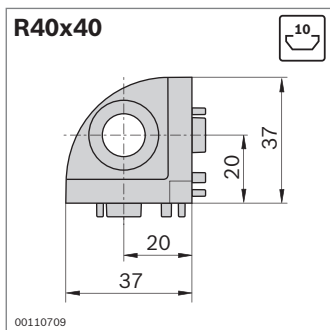
Type	
30/3	85 Nm



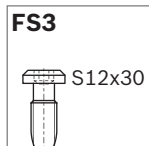
R30x30	Slot	ESD No.	FS
Corner bracket	8		3 842 519 319 3xFS2
Cap K (ball)			3 842 517 281
Cap W (cube)			3 842 517 282

Material: Corner bracket: diecast zinc
Caps: PA, black
Fastening material: steel, galvanized

Scope of delivery: Incl. fastening material (FS)



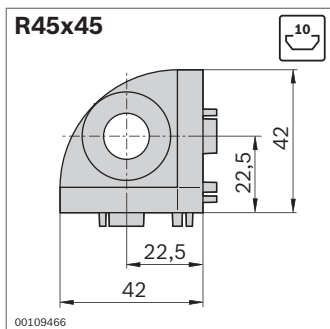
Type	
40/3	70 Nm



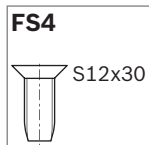
R40x40	Slot	ESD No.	FS
Corner bracket	10		3 842 529 404 3xFS3
Cap K (ball)			3 842 529 016
Cap W (cube)			3 842 529 018

Material: Corner bracket: diecast zinc
Caps: PA, black
Fastening material: steel, galvanized

Scope of delivery: Incl. fastening material (FS)



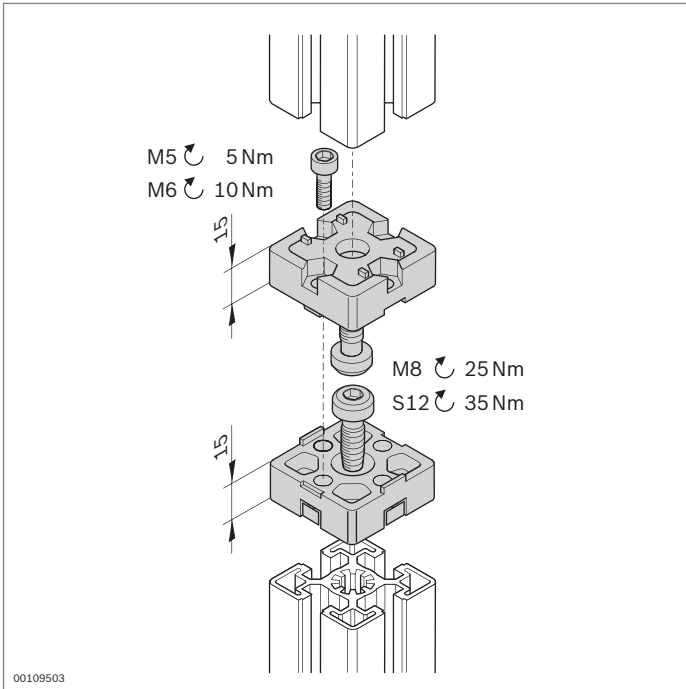
Type	
45/3	45x45L 170 Nm
	45x45 240 Nm



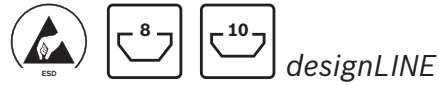
R45x45	Slot	ESD No.	FS
Corner bracket	10		3 842 519 321 3xFS4
Cap K (ball)			3 842 517 290
Cap W (cube)			3 842 517 291

Material: Corner bracket: diecast zinc
Caps: PA, black
Fastening material: steel, galvanized

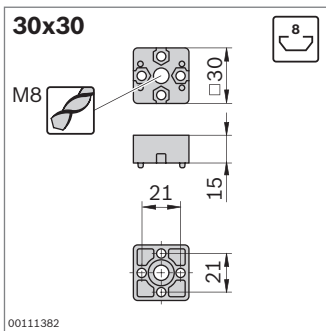
Scope of delivery: Incl. fastening material (FS)



End connector



- ▶ For end-to-end profile connections
- ▶ *designLINE* version with special silver paint (RAL 9006) for an attractive, high-quality design
- ▶ Profile finishing:
 - 30x30: M8 thread cutting in central bores
 - 40x40, 45x45, 50x50: not required



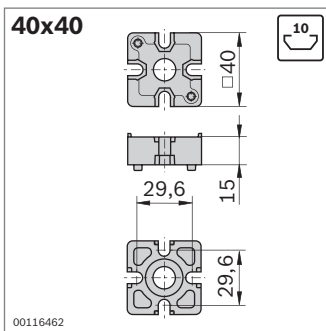
Type	
30x30	81 Nm

FS1 DIN7984 M8x30	FS2 DIN 7984 M5x25 DIN 934 M5
--------------------------------	--

End connector	Slot	ESD	No.	FS
30x30 Set (standard)	8		3 842 526 003	2xFS1, 4xFS2
<i>designLINE</i> set	8		3 842 538 656	2xFS1, 4xFS2

Material: End connector: die-cast aluminum
designLINE end connector: painted (RAL 9006)
 Fastening material: steel, galvanized

Scope of delivery: Set incl. fastening material (FS)



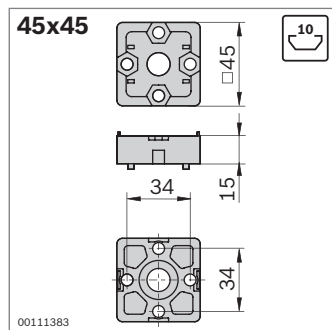
Type	
40x40	170 Nm

FS3 S12x30	FS4 DIN 7984 M6x25 DIN 4032 M6
----------------------	---

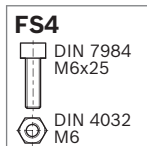
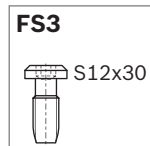
End connector	Slot	ESD	No.	FS
40x40 Set (standard)	10		3 842 532 196	2xFS3, 4xFS4
<i>designLINE</i> set	10		3 842 538 657	2xFS3, 4xFS4

Material: End connector: die-cast aluminum
designLINE end connector: painted (RAL 9006)
 Fastening material: steel, galvanized

Scope of delivery: Set incl. fastening material (FS)



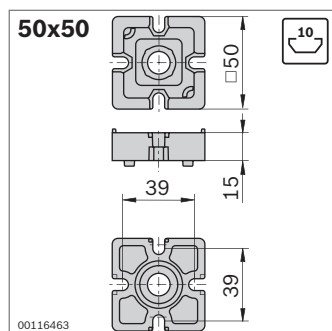
Type	
45x45	200 Nm



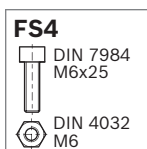
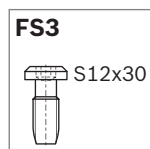
End connector	Slot	ESD No.	FS
45x45 Set (standard)	10	3 842 191 175	2xFS3, 4xFS4
<i>designLINE</i> set	10	3 842 538 658	2xFS3, 4xFS4

Material: End connector: diecast zinc
designLINE end connector: painted (RAL 9006)
Fastening material: steel, galvanized

Scope of delivery: Set incl. fastening material (FS)



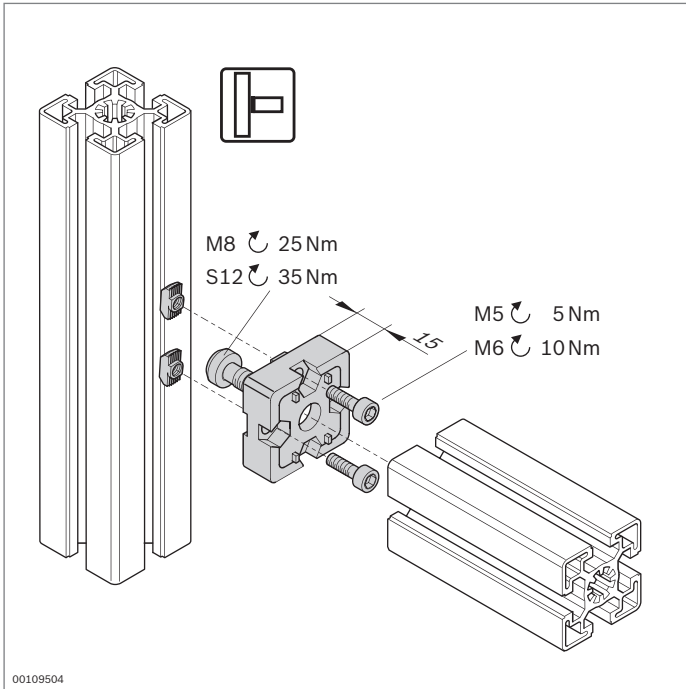
Type	
50x50	180 Nm



End connector	Slot	ESD No.	FS
50x50 Set (standard)	10	3 842 532 199	2xFS3, 4xFS4

Material: End connector: diecast zinc
Fastening material: steel, galvanized

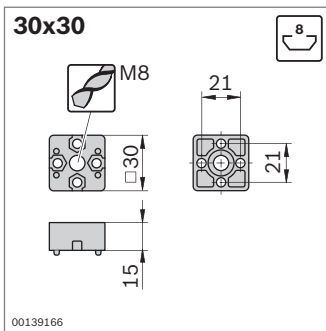
Scope of delivery: Set incl. fastening material (FS)



T-connector



- ▶ For right-angled profile connections
- ▶ *designLINE* version with special silver paint (RAL 9006) for an attractive, high-quality design
- ▶ Profile finishing:
 - 30x30: M8 thread cutting in central bores
 - 40x40, 45x45, 50x50: not required



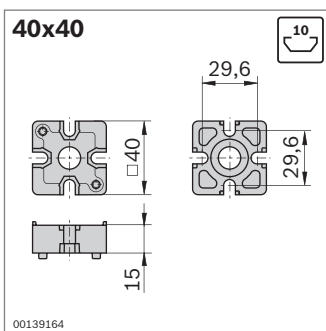
Type	F_{max}	M_{max}
30x30	4000 N	80 Nm

FS1	FS2
DIN7984 M8x30	DIN 7984 M5x16

T-connector	Slot	ESD	No.	FS
30x30 Set (standard)	8		3 842 524 476	1xFS1, 2xFS2
<i>designLINE</i> set	8		3 842 538 696	1xFS1, 2xFS2

Material: T-connector: die-cast aluminum
designLINE T-connector: painted (RAL 9006)
Fastening material: steel, galvanized

Scope of delivery: Set incl. fastening material (FS)



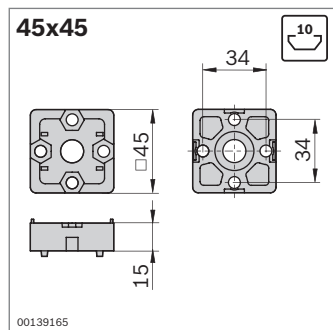
Type	F_{max}	M_{max}
40x40	9000 N	150 Nm

FS3	FS4
S12x30	DIN 7984 M6x20

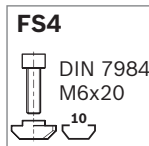
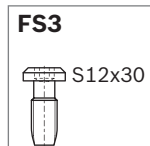
T-connector	Slot	ESD	No.	FS
40x40 Set (standard)	10		3 842 532 195	1xFS3, 2xFS4
<i>designLINE</i> set	10		3 842 538 697	1xFS3, 2xFS4

Material: T-connector: die-cast aluminum
designLINE T-connector: painted (RAL 9006)
Fastening material: steel, galvanized

Scope of delivery: Set incl. fastening material (FS)



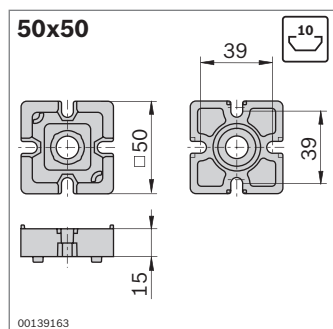
Type	F_{max}	M_{max}
45x45	9000 N	200 Nm



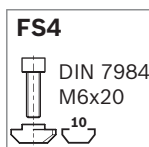
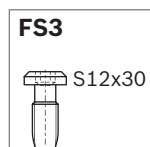
T-connector	Slot	ESD No.	FS
45x45 Set (standard)	10	3 842 520 802	1xFS3, 2xFS4
<i>designLINE</i> set	10	3 842 538 698	1xFS3, 2xFS4

Material: T-connector: diecast zinc
designLINE T-connector: painted (RAL 9006)
 Fastening material: steel, galvanized

Scope of delivery: Set incl. fastening material (FS)



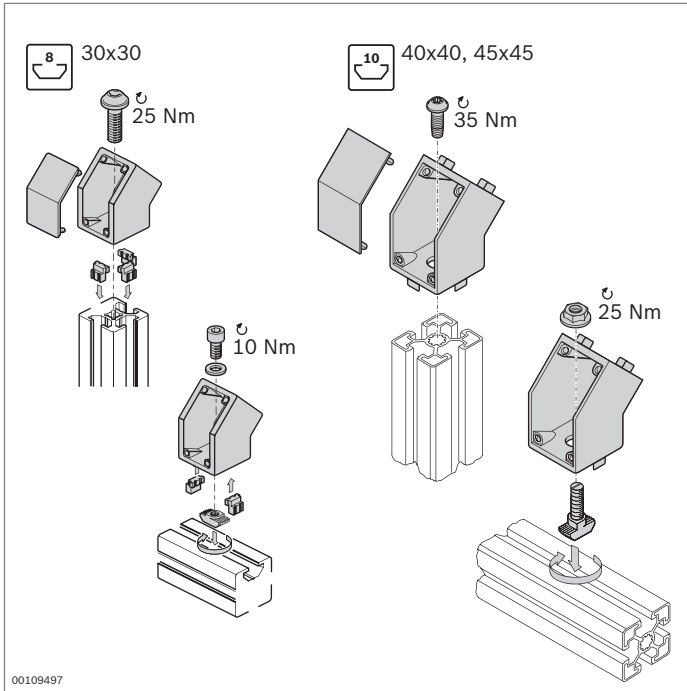
Type	F_{max}	M_{max}
50x50	10,000 N	170 Nm



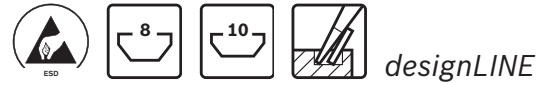
T-connector	Slot	ESD No.	FS
50x50 Set (standard)	10	3 842 532 198	1xFS3, 2xFS4

Material: T-connector: diecast zinc
 Fastening material: steel, galvanized

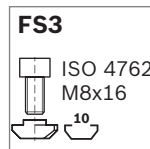
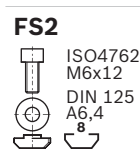
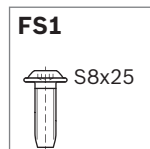
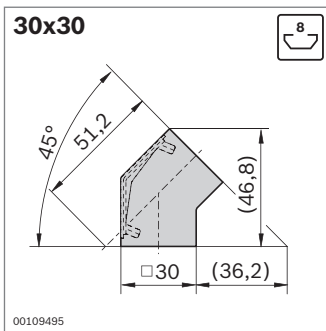
Scope of delivery: Set incl. fastening material (FS)



45° connector



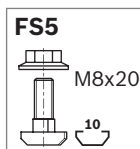
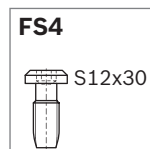
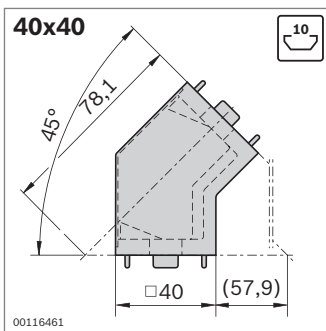
- ▶ For connecting profiles at a 45° angle
- ▶ Suitable as a frame reinforcement
- ▶ Suitable for connections at the end of the profile or in the profile slot
- ▶ 45° connectors, 40x40 and 45x45, with centering lugs for simple positioning (centering lugs can be easily broken off for assembly in the profile slot)
- ▶ *designLINE* version with special silver paint (RAL 9006) for an attractive, high-quality design
- ▶ Profile finishing: not required



45° connector	Slot	ESD	No.	FS
30x30 Set (standard)	8	⚡	3 842 518 426	2xFS1, FS2, FS3
<i>designLINE</i> set	8	⚡	3 842 538 700	2xFS1, FS2, FS3

Material: 45° connector: diecast zinc
designLINE 45° connector: painted (RAL 9006)
 Centering element, cap: PA, black
 Fastening material: steel, galvanized

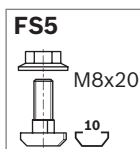
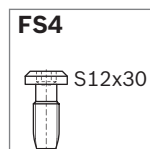
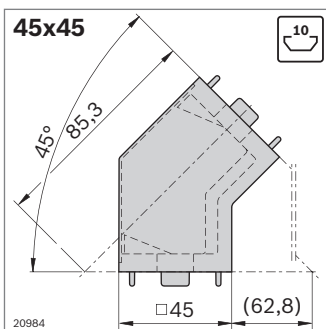
Scope of delivery: Set incl. fastening material (FS), 6x centering element, cap



45° connector	Slot	ESD	No.	FS
40x40 Set (standard)	10	⚡	3 842 532 205	2xFS4, FS5
<i>designLINE</i> set	10	⚡	3 842 538 701	2xFS4, FS5

Material: 45° connector: cast aluminum
designLINE 45° connector: painted (RAL 9006)
 Cap: PA, black
 Fastening material: steel, galvanized

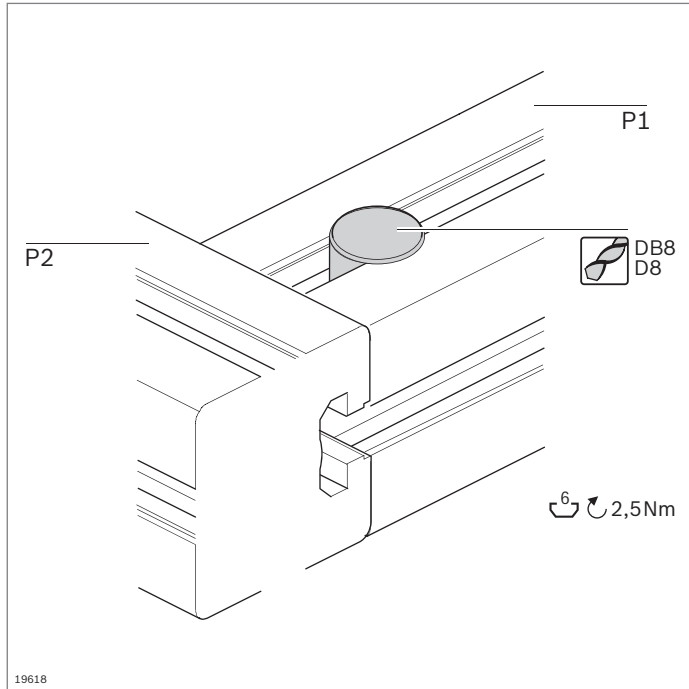
Scope of delivery: Set incl. fastening material (FS), cap



45° connector	Slot	ESD	No.	FS
45x45 Set (standard)	10	⚡	3 842 535 428	2xFS4, FS5
<i>designLINE</i> set	10	⚡	3 842 538 702	2xFS4, FS5

Material: 45° connector: cast aluminum
designLINE 45° connector: painted (RAL 9006)
 Cap: PA, black
 Fastening material: steel, galvanized

Scope of delivery: Set incl. fastening material (FS), cap

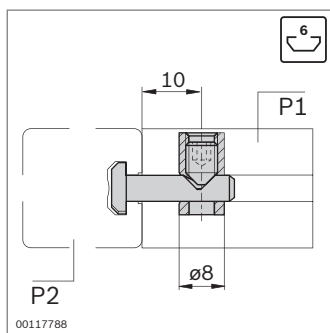
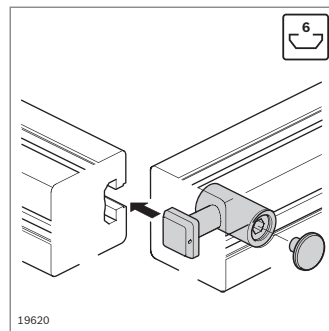
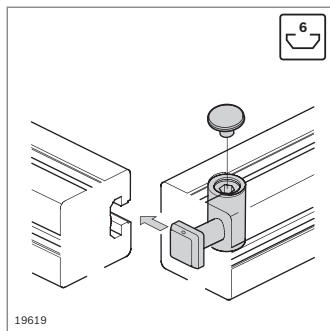


Quick connector, 6 mm slot, 0°, 90° Cap



- ▶ For right-angled connections between two profiles
- ▶ Excellent accessibility for tools during mounting
- ▶ Quick connector for 6 mm slot with square head; can be used as a 0° or 90° connector
- ▶ Profile finishing:
Blind hole DB8 or through hole D8

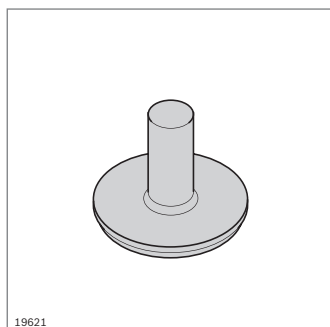
Optional accessories:
Drilling jig (p. 14-2)



Slot	F_{max}	M_{max}
6/6	450 N	18 Nm

Quick connector 0°/90°	P1/P2	D (mm)	ESD	No.
	6/6	8	10	3 842 537 013

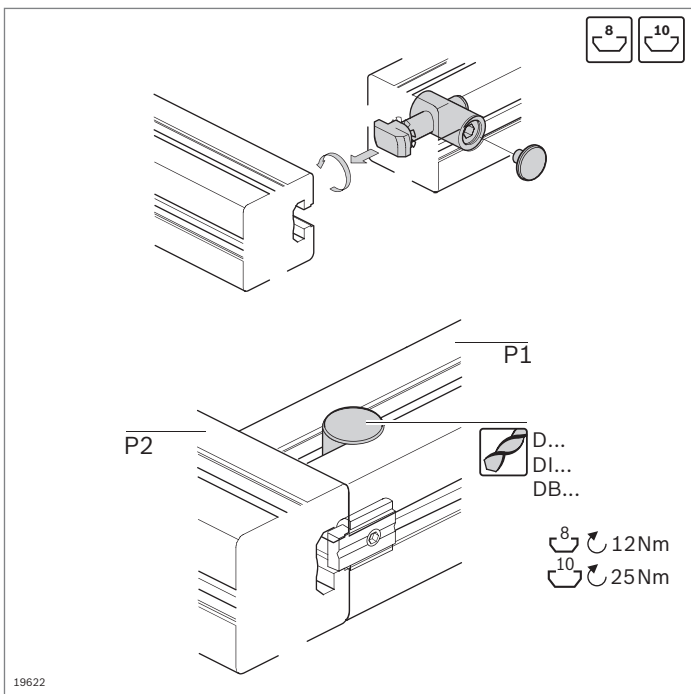
Material: Steel, stainless



- ▶ Cap for connector sleeves

Cap	D (mm)	No.
	8	100 3 842 538 562

Material: PE, light gray RAL 7035



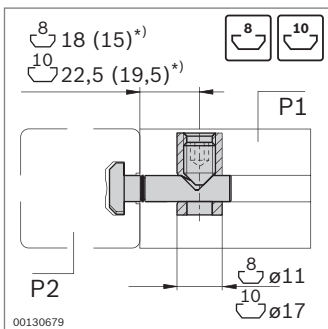
Quick connector, 8/10 mm slot, 0°



- ▶ For right-angled connections between two profiles
- ▶ Excellent accessibility for tools during assembly
- ▶ O-ring for mounting enables overhead assembly
- ▶ Quick connectors can be swiveled into the profile slot at the point of assembly
- ▶ Profile finishing:
Blind hole DI, DB11, DB17 or
through hole DI, D11, D17
- ▶ Note deviating drilling distances and loads when using a radial compensation (see “Technical data”)

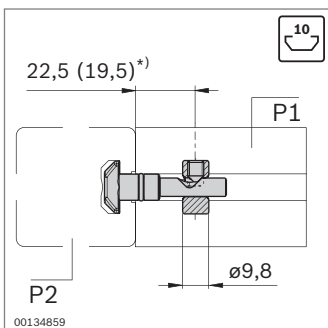
Optional accessories:

- ▶ Anti-torsion element (p. 3-37)
- ▶ Radial compensation (p. 2-78)
- ▶ Drilling jig (p. 14-2)
- ▶ Cap (p. 3-50)



Slot	F_{max}	M_{max}
8/8	500 N	40 Nm
8/10	2000 N	70 Nm
10/10	4000 N	140 Nm

*) With the use of a radial compensation



Slot	F_{max}	M_{max}
10/10	800 N	50 Nm

*) With the use of a radial compensation

Quick connector 0°	P1/P2	D (mm)	ESD	No.
	8/8	11	⚠	10 3 842 535 459
	8/10	11	⚠	10 3 842 535 464
	10/10	17	⚠	10 3 842 535 458

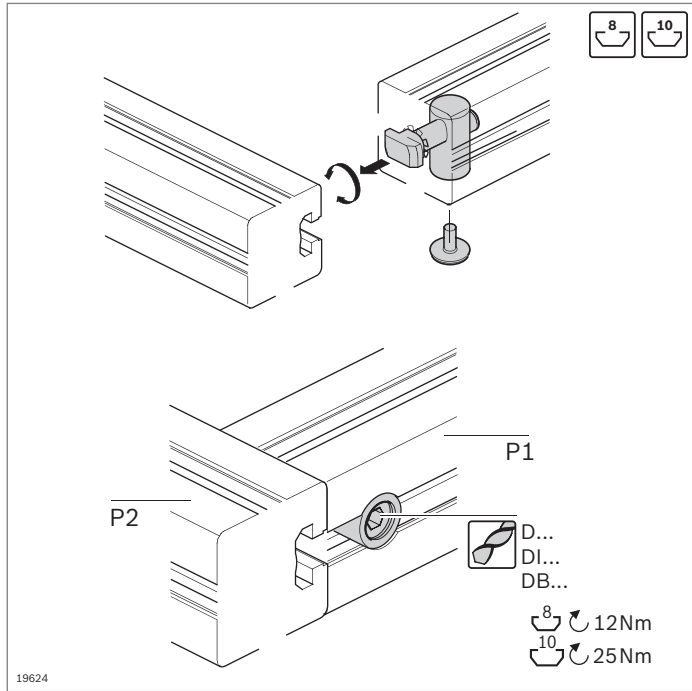
Material: Steel, galvanized, chromated transparent

- ▶ Quick connector 9.8 with smaller connector sleeve
- ▶ The hole for the connector sleeve does not make contact with the slot flanks. This permits a visually attractive connection; the slot can be completely closed with the cover profile

Quick connector 0°, connector sleeve D = 9.8	P1/P2	D (mm)	ESD	No.
	10/10	9.8 ¹⁾	⚠	10 3 842 541 412

¹⁾ No standard hole in modular dimensions 40, 50 and 60
Target distance to profile end: 22.5 mm

Material: Steel, galvanized, chromated transparent



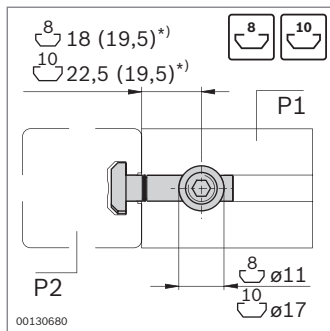
Quick connector, 8/10 mm slot, 90°, Cap



- ▶ Tie rod head rotated at a 90° angle to the connector sleeve
- ▶ Profile finishing:
Blind hole DI, DB11, DB17 or
through hole DI, D11, D17

Optional accessories:

- ▶ Anti-torsion element (p. 3-37)
- ▶ Radial compensation (p. 2-78)
- ▶ Drilling jig (p. 14-2)
- ▶ Cap

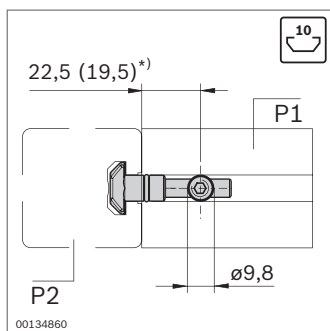


Slot	F_{max}	M_{max}
8/8	2000 N	70 Nm
10/10	4000 N	140 Nm

*) With the use of a radial compensation

Quick connector 90°	P1/P2	D (mm)	ESD	No.
	8/8	11		10 3 842 535 465
	10/10	17		10 3 842 535 466

Material: Steel, galvanized, chromated transparent



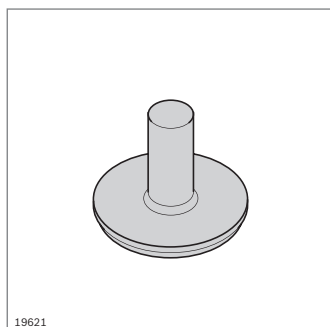
Slot	F_{max}	M_{max}
10/10	800 N	50 Nm

*) With the use of a radial compensation

Quick connector 90°, connector sleeve	P1/P2	D (mm)	ESD	No.
D = 9.8	10/10	9.8 ¹⁾		10 3 842 541 410

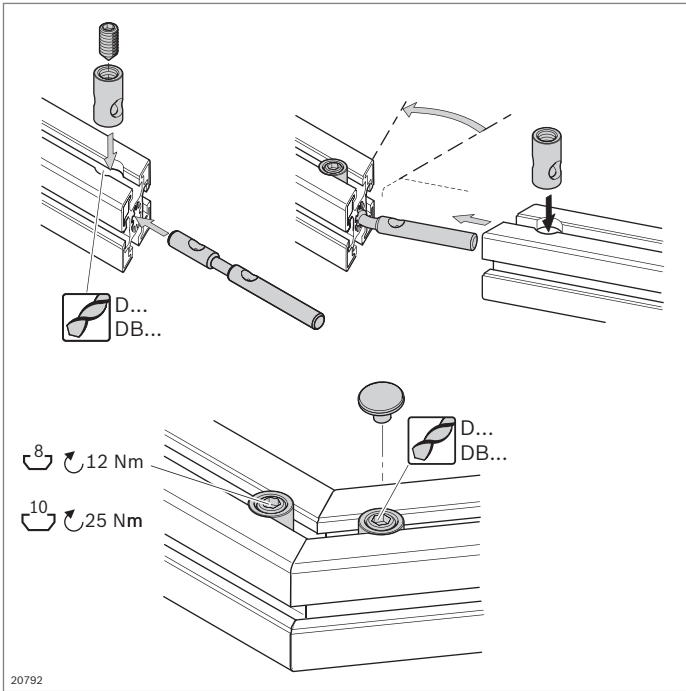
¹⁾ No standard hole in modular dimensions 40, 50 and 60
Target distance to profile end: 22.5 mm

Material: Steel, galvanized, chromated transparent

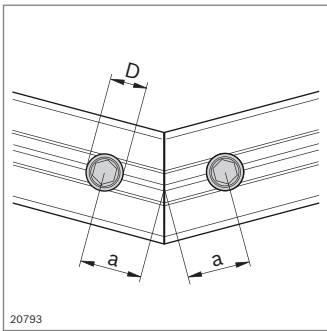


Cap	D (mm)	No.
	11	100 3 842 538 563
	17	100 3 842 538 564

Material: PE, light gray RAL 7035



20792



20793

	M_{max} ↓
30x30	24 Nm
40x40L	100 Nm
45x45L	110 Nm
45x45	145 Nm
50x50L	160 Nm

Quick connector, bendable – end-to-end



- ▶ For end-to-end connections of two profiles with equivalent cross-sections and at any angle, e.g. for frames
- ▶ Profile finishing:
 - Blind hole DB11, DB17 or through hole D11, D17
 - Miter cuts

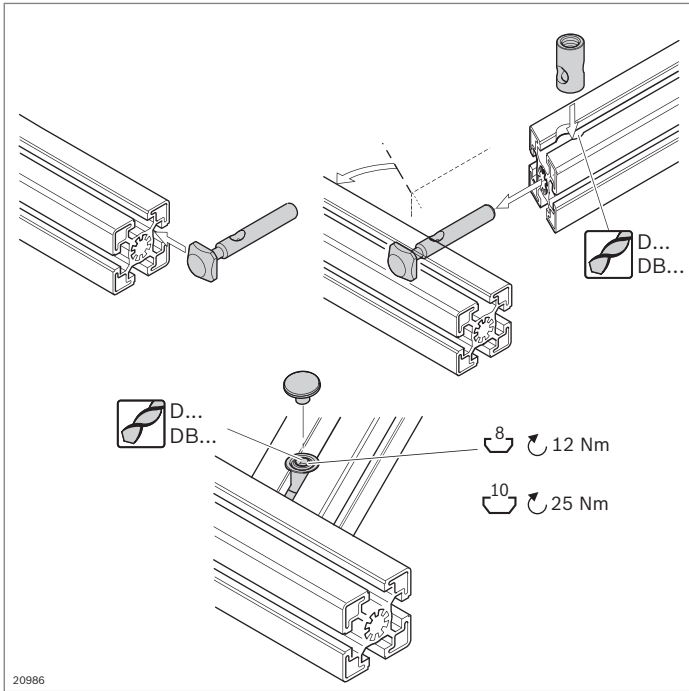
Technical data (p. 19-6)

Accessories:

- ▶ Drilling jig (p. 14-2)
- ▶ Cap (p. 3-50)

Quick connector, bendable	P1/P2	a (mm)	D (mm)	ESD		No.
End-to-end	8/8	18	11		10	3 842 535 630
	10/10	22.5	17		10	3 842 535 634

Material: Tie rod: steel, stainless
Socket: steel, galvanized



20986

Quick connector, bendable – end-to-slot

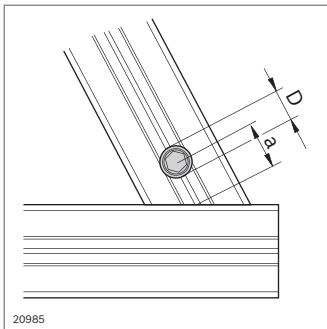


- ▶ For end-to-slot connections of two profiles at any angle, e.g. for framework constructions
- ▶ Profile finishing:
 - Blind hole DB11, DB17 or through hole D11, D17
 - Miter cuts

Technical data (p. 19-6)

Accessories:

- ▶ Drilling jig (p. 14-2)
- ▶ Cap (p. 3-50)

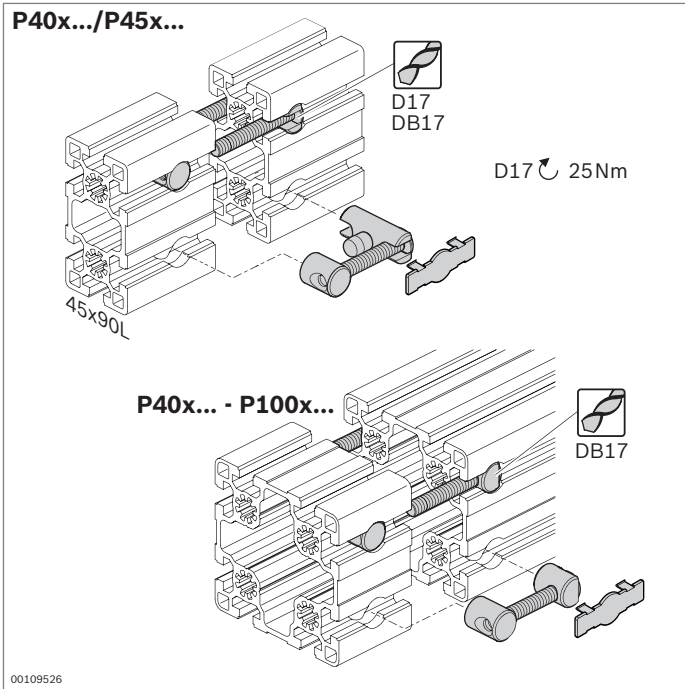


20985

Quick connector, bendable	P1/P2	a (mm)	D (mm)	ESD	No.
End-to-slot	8/8	18	11		3 842 535 629
	10/10	22.5	17		3 842 535 635

Material: Tie rod: steel, stainless
Socket: steel, galvanized, chromated transparent

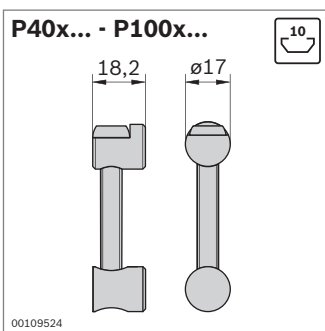
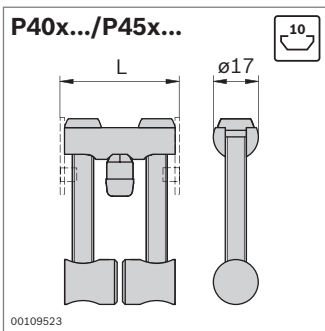
30x30	1100 N	35 Nm	650 N	40 Nm
40x40L	1500 N	110 Nm	1000 N	80 Nm
45x45L	1500 N	120 Nm	1000 N	95 Nm
45x45	1500 N	140 Nm	1100 N	180 Nm
50x50L	1500 N	150 Nm	1100 N	180 Nm



Longitudinal end connector



- ▶ For end-to-end connections of two profiles
- ▶ Standard profile finishes:
 - Through hole D17 (two-sided longitudinal end connector)
 - Blind hole DB17 or through hole D17 (one-sided longitudinal end connector)



Longitudinal end connector, two-sided	L (mm)	ESD	No.
Profile 40x...	40		3 842 529 293
Profile 45x...	45		3 842 529 248

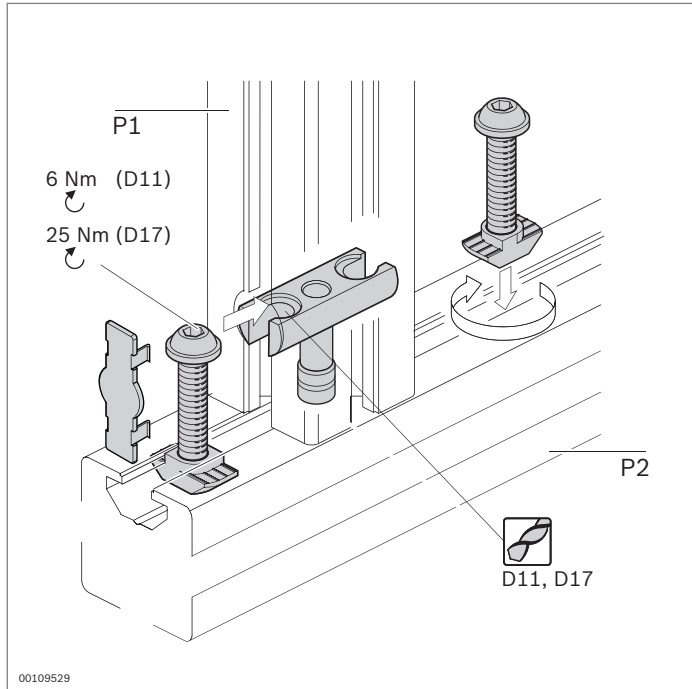
Material: Longitudinal end connector: screw steel, galvanized
Centering bolt, caps: PA, black

Scope of delivery: Incl. 4x cap

Longitudinal end connector, one-sided	ESD	No.
Profile 40x ... to 100x...		3 842 529 334

Material: Longitudinal end connector: screw steel, galvanized
Centering bolt, caps: PA, black

Scope of delivery: Incl. 2x cap



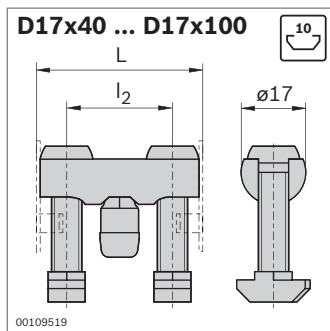
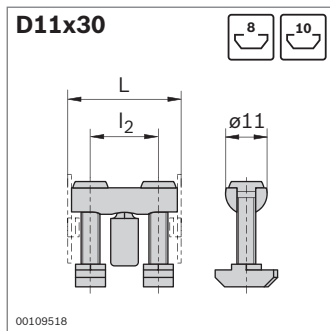
Bolt connector



- ▶ For right-angled connections between two profiles
- ▶ Designed for heavy loads and torsion
- ▶ Can be installed in closed frames
- ▶ Profile finishing: through hole D11, D17

Technical data (p. 19-7)

Accessories:
Drilling jig (p. 14-2)



Bolt connector	P1/P2	L (mm)	l ₂ (mm)	ESD	No.
D11x30	8/8	30	18	⚡	10 3 842 535 624
	8/10	30	18	⚡	10 3 842 535 583

Material: Bolt connector: steel, galvanized
Centering bolt, caps: PA, black

Scope of delivery: Incl. 2 caps

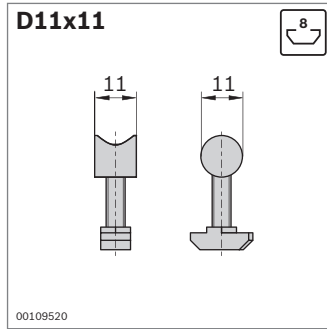
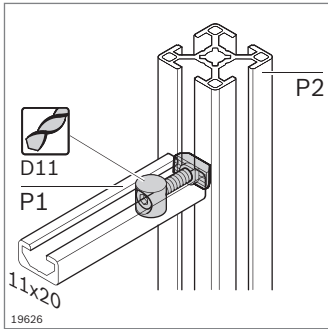
Bolt connector	P1/P2	L (mm)	l ₂ (mm)	ESD	No.
D17x40	10/10	40	23	⚡	10 3 842 535 620
D17x45	10/10	45	28	⚡	10 3 842 500 921
D17x50	10/10	50	33	⚡	10 3 842 535 621
D17x60	10/10	60	43	⚡	10 3 842 500 922
D17x80	10/10	80	63	⚡	10 3 842 535 622
D17x90	10/10	90	73	⚡	10 3 842 500 923
D17x100	10/10	100	83	⚡	10 3 842 535 618

Material: Bolt connector: steel, galvanized
Centering bolt, caps: PA, black

Scope of delivery: Incl. 2 caps

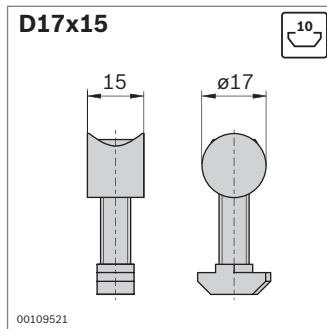
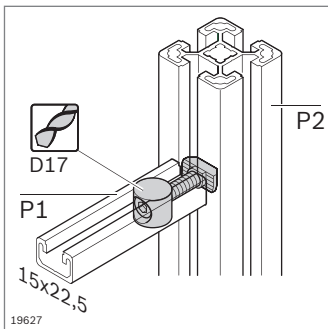
Size			
30	2500 N	60 Nm	20 Nm
40	4000 N	180 Nm	40 Nm
45	4000 N	180 Nm	60 Nm
50	4000 N	200 Nm	65 Nm

Size			
60	4000 N	200 Nm	80 Nm
80	5000 N	800 Nm	170 Nm
90	5000 N	800 Nm	200 Nm
100	5000 N	1000 Nm	480 Nm



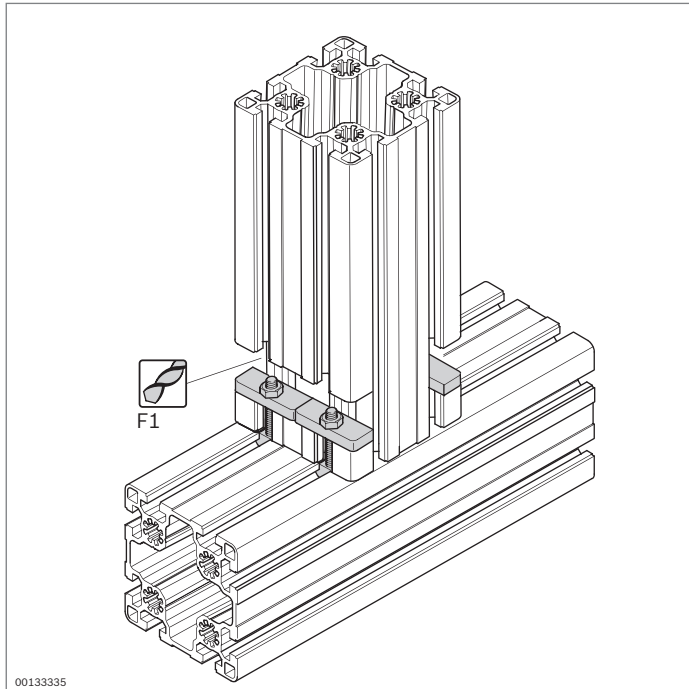
Bolt connector	P1/P2	ESD		No.
D11x11	8/8		10	3 842 535 617

Material: Steel, galvanized



Bolt connector	P1/P2	ESD		No.
D17x15	10/10		10	3 842 535 619

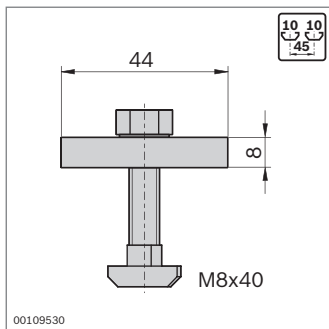
Material: Steel, galvanized



Cross connectors



- ▶ For right-angled connections between two profiles
- ▶ Excellent accessibility for tools during mounting
- ▶ For heavy loads
- ▶ Profile finishing: standard milling F1



Cross connectors	No.
Material: Steel, galvanized, chromated transparent	10 3 842 146 972